



# **LG Air Conditioner**

## **SVC MANUAL(Exploded View)**

**Type: Floor Standing Air Conditioner**

**MODEL : APNH48GTLA0 [UP48 NT2]**

### **CAUTION**

Before Servicing the unit, read the safety precautions in General SVC manual.  
Only for authorized service personnel.

# 1. Specification

## Indoor

Model Name			APNH48GTLA0 [UP48 NT2]	
Power Supply		V / Ø / Hz	220-240 / 1 / 50	
Casing Color		-	-	
Dimensions	Body	W x H x D	mm	590 x 1,840 x 460
		W x H x D	inch	23-7/32 x 72-7/16 x 18-1/8
Net Weight	Body	kg (lbs)	50.0 (110.2)	
Heat Exchanger	#1_(Row x Column x Fins per inch) x No.		-	(3 x 38 x 19) x 1
	#2_(Row x Column x Fins per inch) x No.		-	-
	Face Area		m <sup>2</sup> (ft <sup>2</sup> )	0.39 (4.17)
Fan	Type		-	Sirocco Fan
	Air Flow Rate	SH / H / M / L	m <sup>2</sup> /min	36.0 / 31.0 / 27.0 / 23.0
		SH / H / M / L	ft <sup>2</sup> /min	1,271 / 1,095 / 954 / 812
Fan Motor	Type		-	BLDC
	Output		W x No.	224 x 1
	Power Input		W x No.	200 x 1
	Running Current		A	0.90
Dehumidification Rate		l/h (pts/h)	5.0 (10.6)	
Sound Pressure Level		SH / H / M / L	dB(A)	55 / 52 / 49 / 45
Sound Power Level	Cooling	Max	dB(A)	59
Piping Connections	Liquid		mm(inch)	Ø 9.52 (3/8)
	Gas		mm(inch)	Ø 15.88 (5/8)
	Drain (O.D. / I.D.)		mm	Ø 32.0(1-1/4) / 25.0(31/32)
Safety Devices		-	Fuse	
		-	Thermal Protector for Fan Motor	
Power and Communication Cable (included Earth)		No. x mm <sup>2</sup> (AWG)	4C x 0.75	

### Note:

1. All data are based on the following conditions:

- Cooling Temperature : Indoor 27°C(80.6°F) DB / 19°C(66.2°F) WB  
Outdoor 35°C(95°F) DB / 24°C(75.2°F) WB
- Heating Temperature : Indoor 20°C(68°F) DB / 15°C(59°F) WB  
Outdoor 7°C(44.6°F) DB / 6°C(42.8°F) WB
- Piping Length : Interconnected Pipe Length = 7.5m
- Difference Limit of Elevation (Outdoor ~ Indoor Unit) is Zero.

2. Wiring cable size must comply with the applicable local and national code.

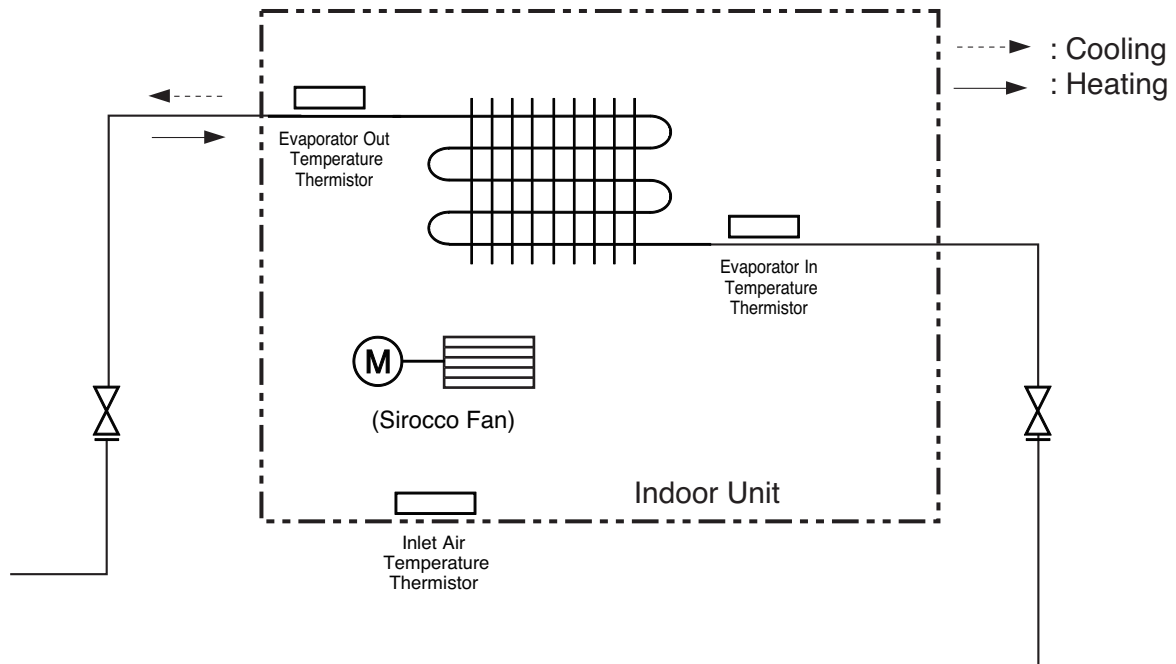
3. Due to our policy of innovation some specifications may be changed without notification.

4. Sound Level Values are measured at Anechoic chamber.

Therefore, these values can be increased(maximum 3dB(A)) owing to ambient conditions during operation.

Conversion Formula
kW = Btu/h x 0.0002931
cfm = CMM x 35.3

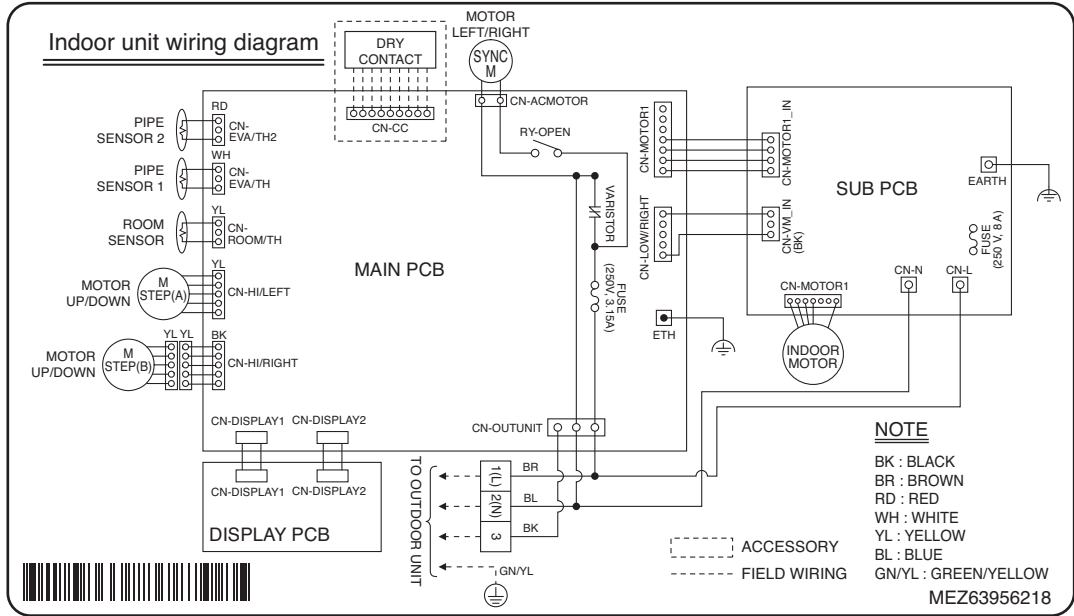
## 2. Piping Diagrams



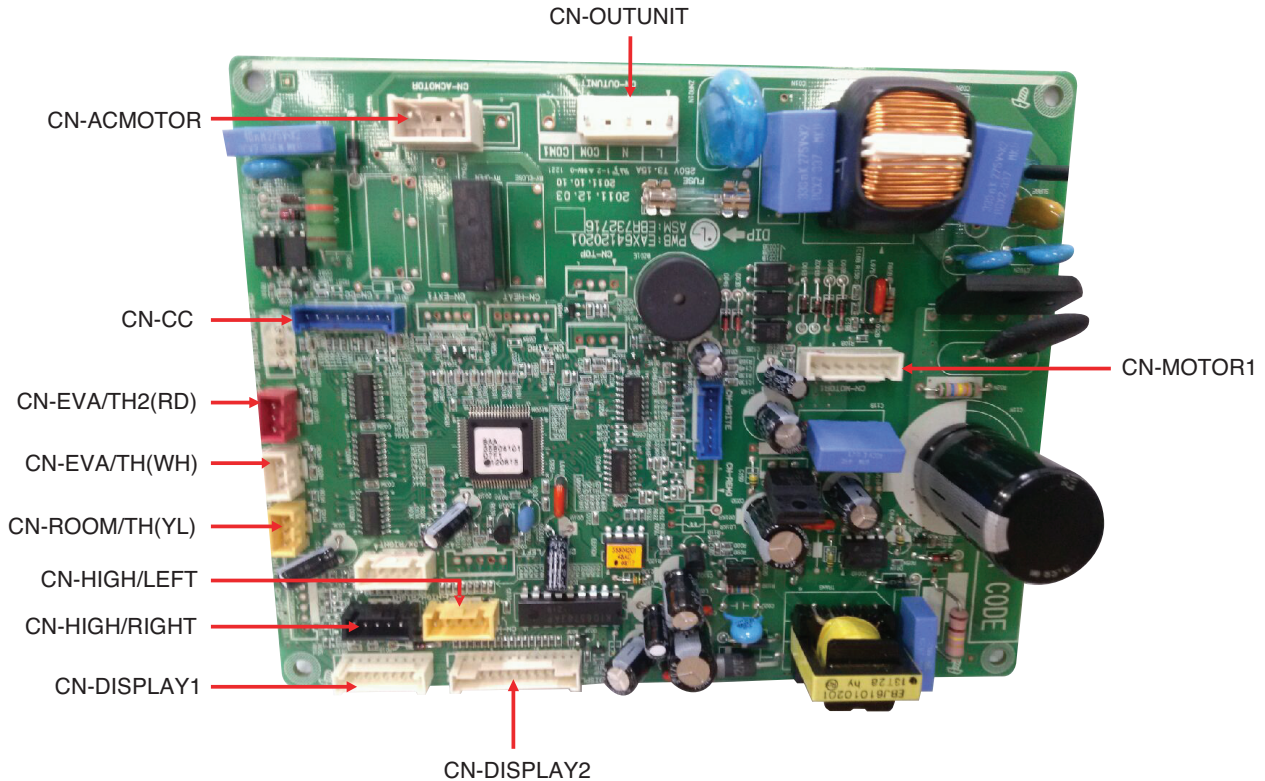
Description	PCB Connector
Inlet Air Temperature Thermistor	CN-ROOM
Evaporator In Temperature Thermistor	CN-EVA/TH(WH)
Evaporator Out Temperature Thermistor	CN-EVA/TH2(RD)

# 3. Wiring Diagrams

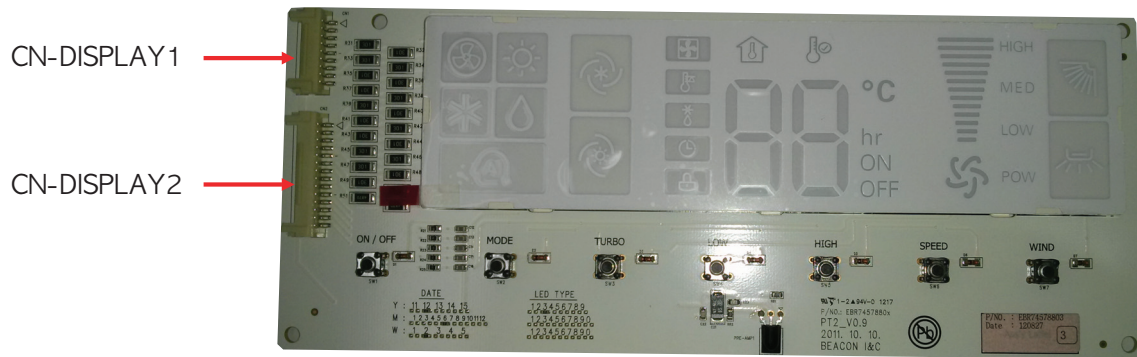
## Indoor Unit



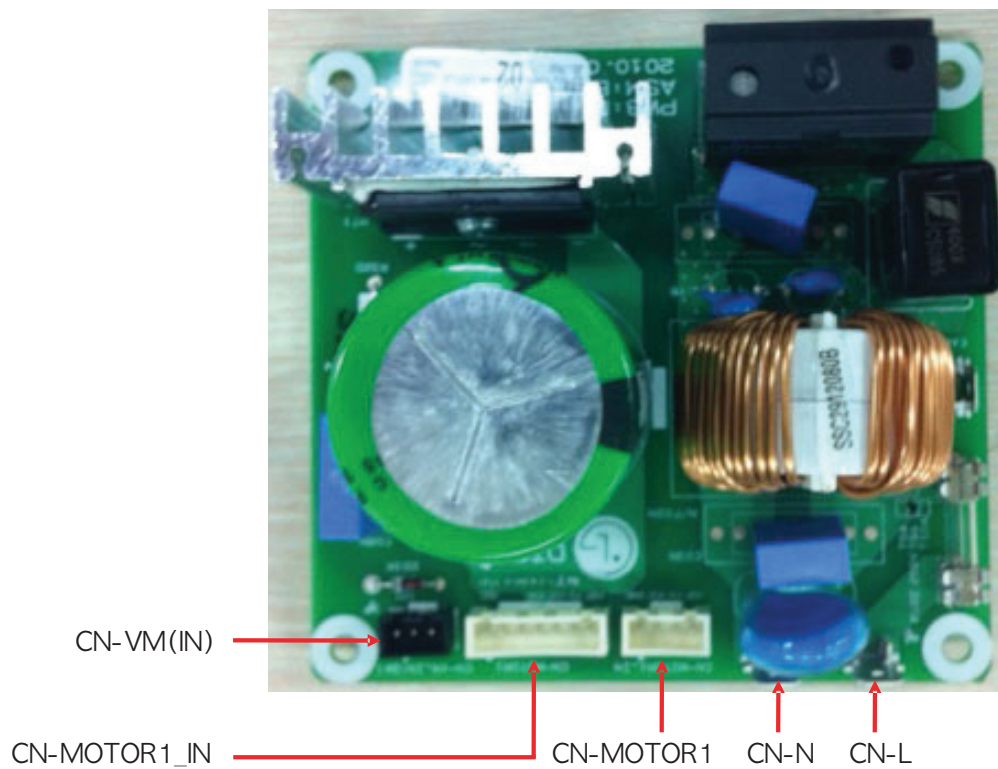
## AC PCB



## ❖ DISPLAY PCB

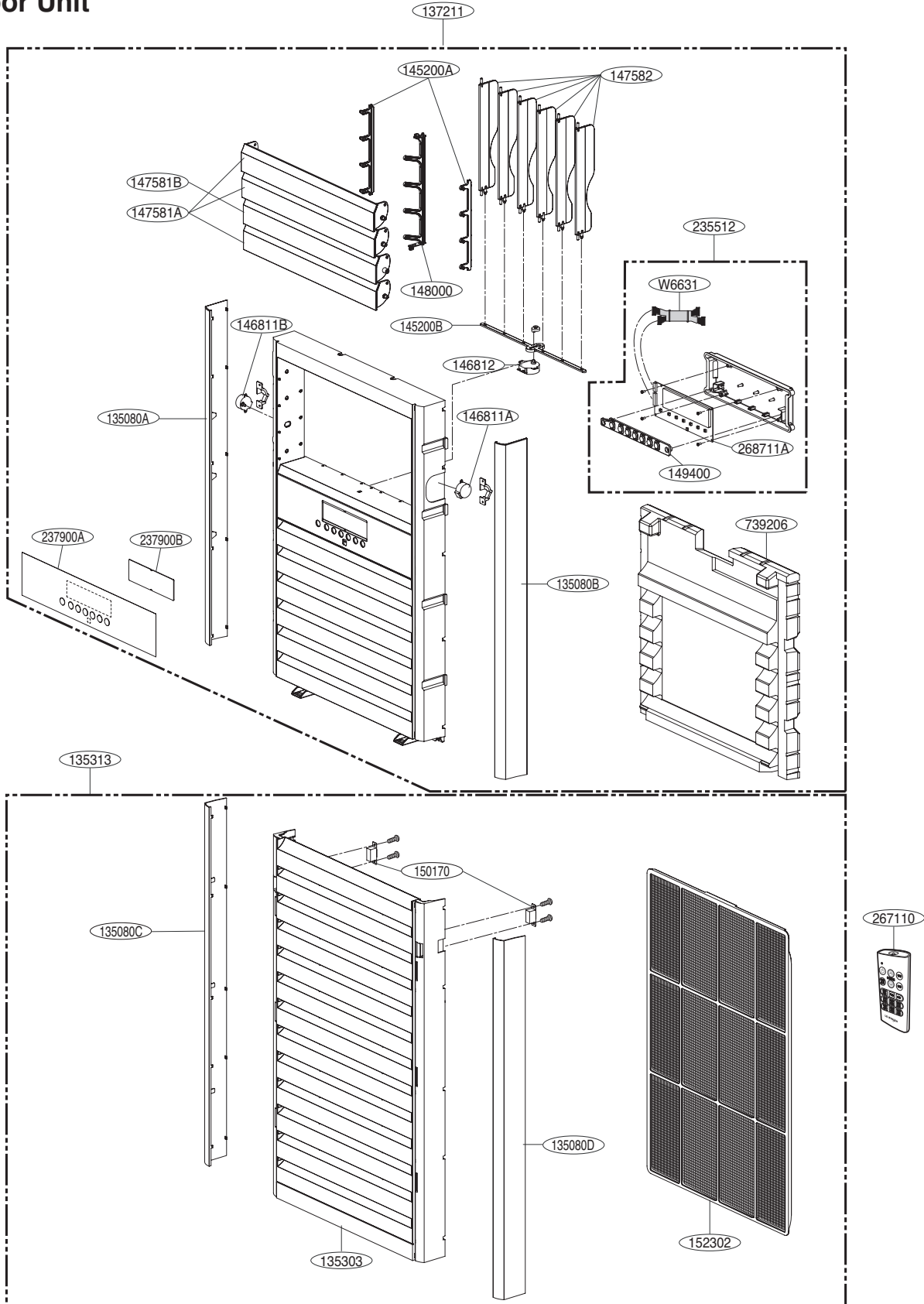


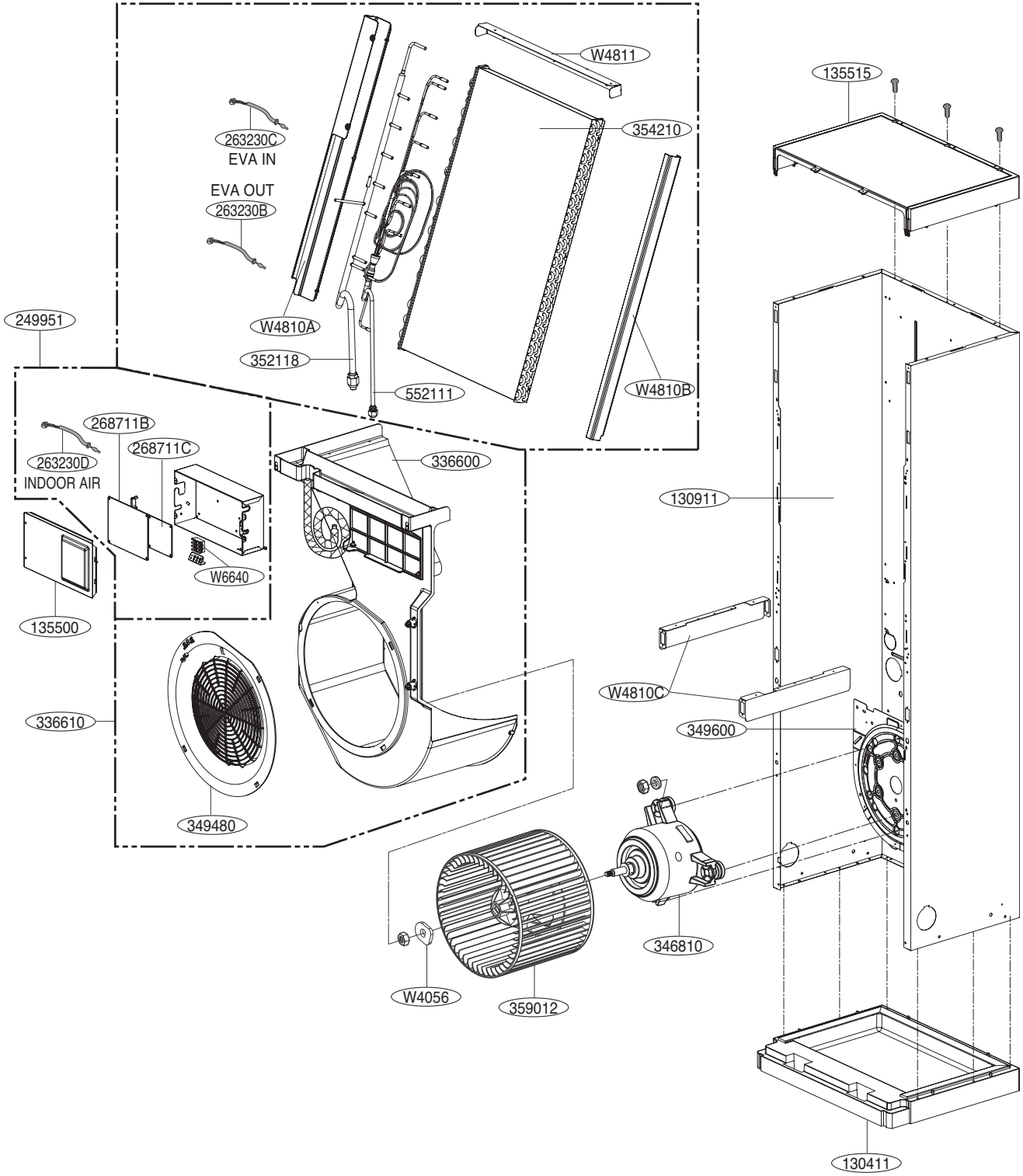
## ❖ SUB PCB



# 4. Exploded View

## Indoor Unit







P/NO : MFL67462513

February, 2013