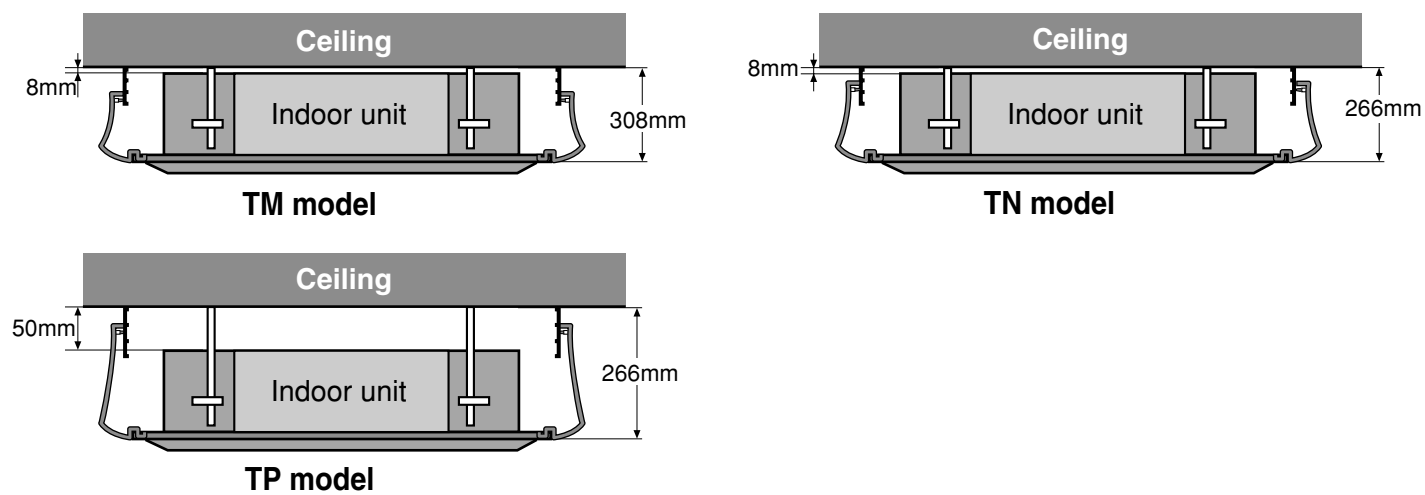


■ Follow the details to install the external cover correctly.

- Read the installation manual carefully before installing the cover.
- To prevent the exterior of the cover from being scratched or become dirty during the assembly, always put a clean sheet on the floor.
- Always use the screw included in the product.
(If you use other screws, it can damage the product.)

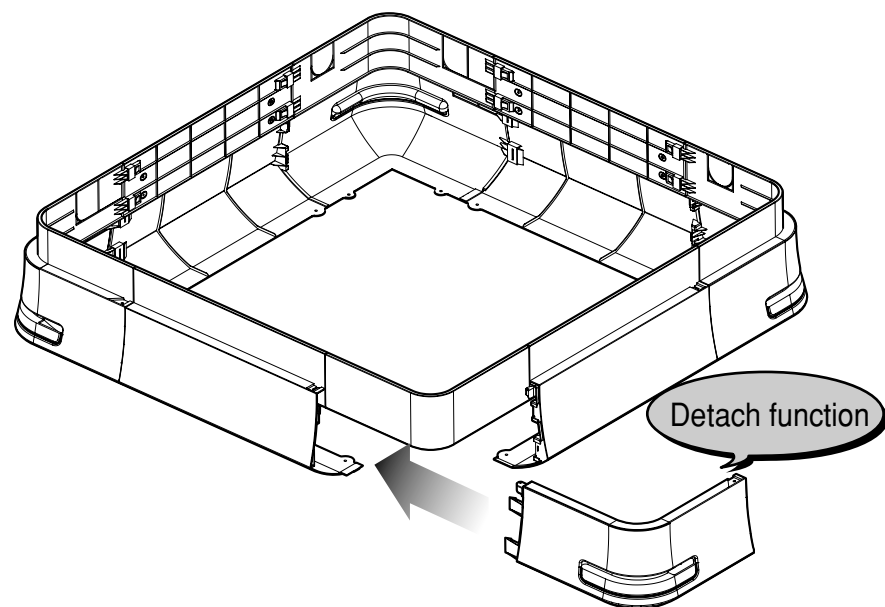
■ The purpose of this external cover is to prevent the indoor unit from being exposed externally.

- Use this when install the cassette air conditioner on the ceiling without any finishing.

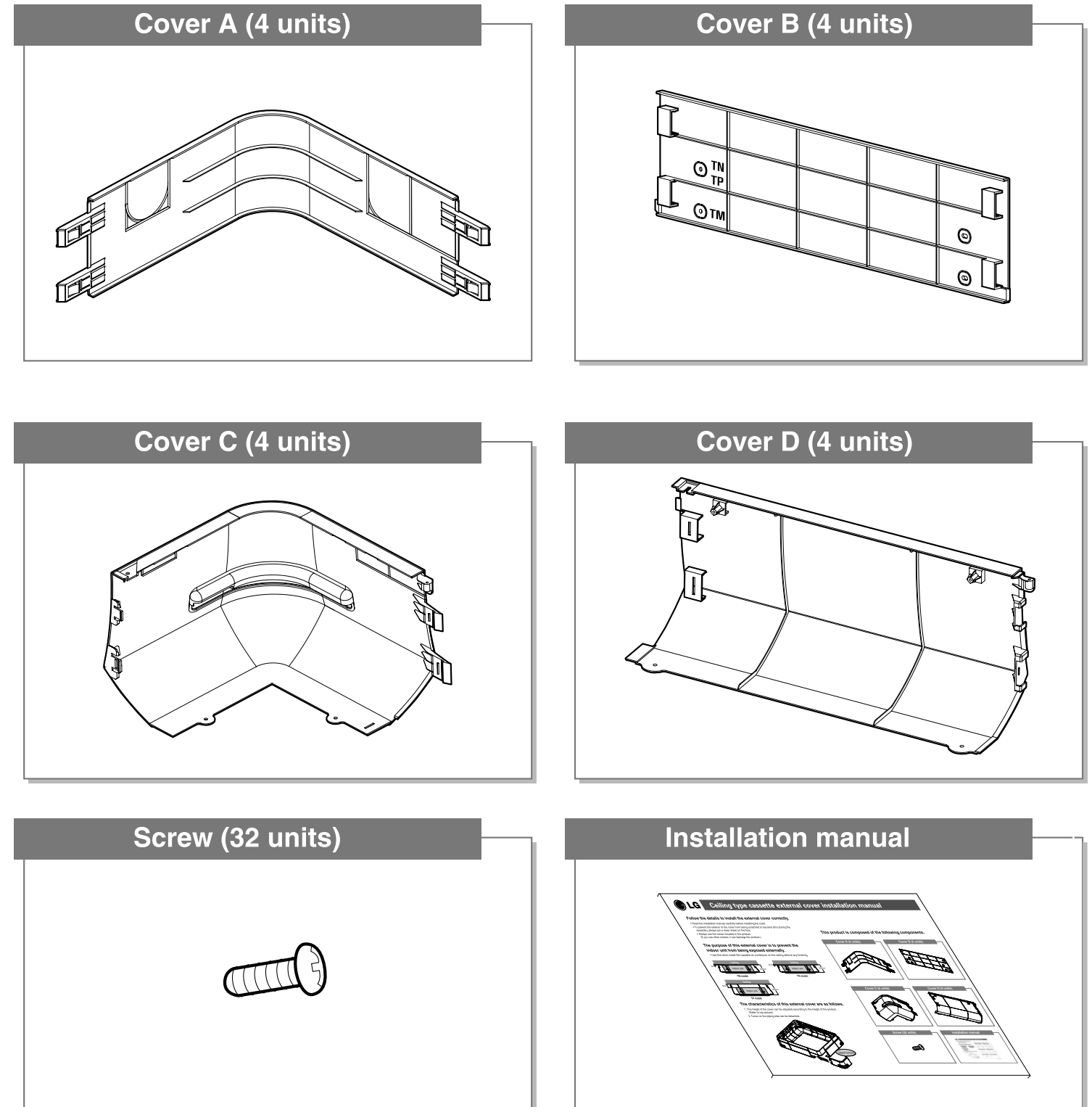


■ The characteristics of this external cover are as follows.

1. The height of the cover can be adjusted according to the height of the product.
(Refer to top picture)
2. Cover on the piping side can be detached.

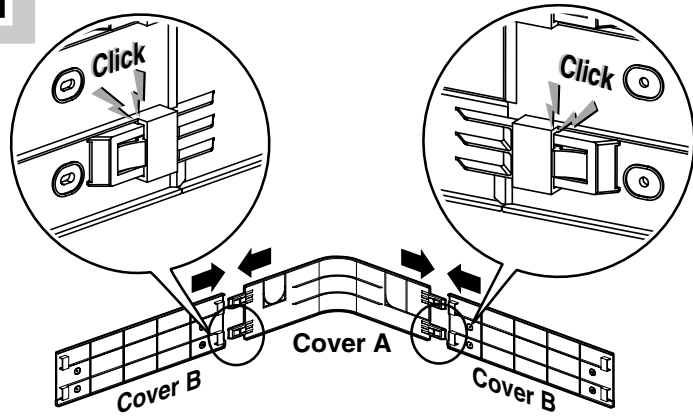


■ This product is composed of the following components.

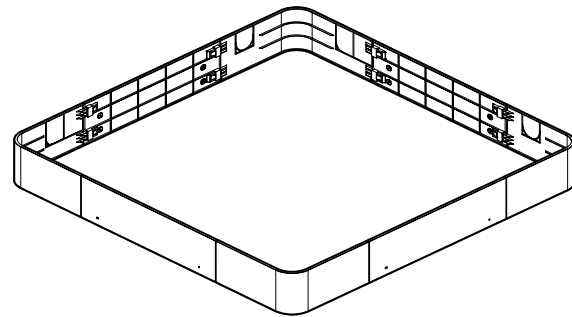


Installation order

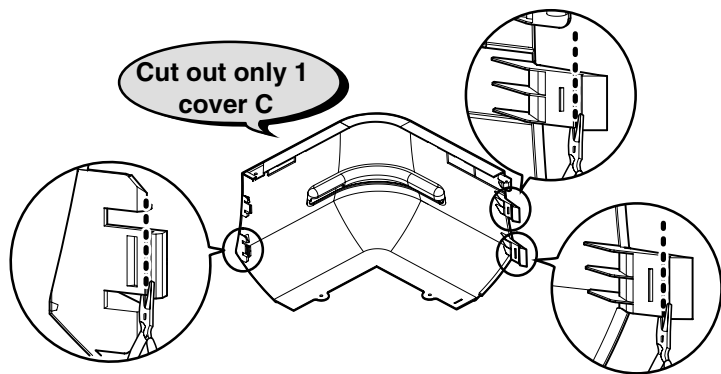
1 Assemble 4 covers A and 4 covers B as shown in the picture.



2 Complete the assembly until the rectangular shape is formed as shown in the picture.

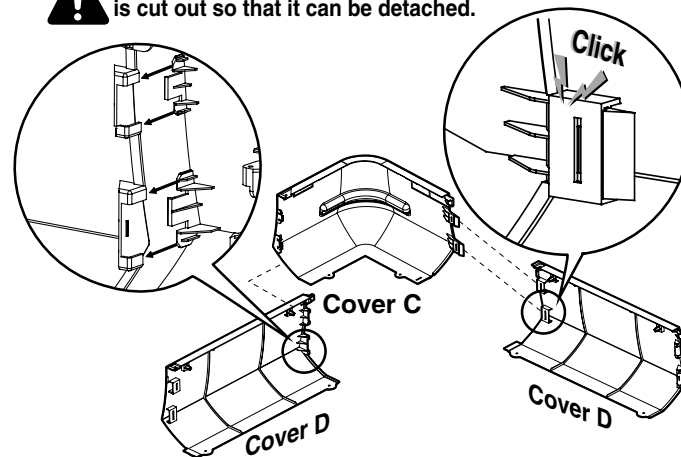


3 Take one of the 4 covers C and cut out 3 locations for assembly. (Cut out by the groove on the assembly part.)

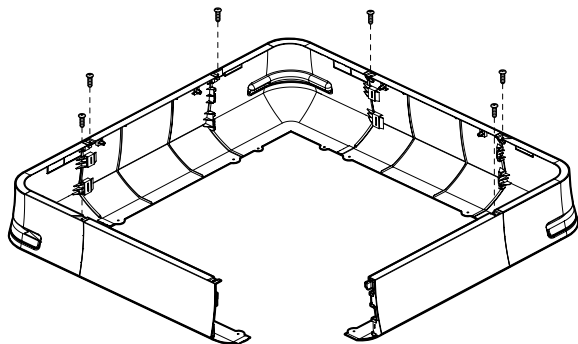


4 Assemble the remaining 3 covers C and 4 covers D so that they form a rectangular shape as shown in the picture.

! Do not assemble one cover C of which the assembly part is cut out so that it can be detached.

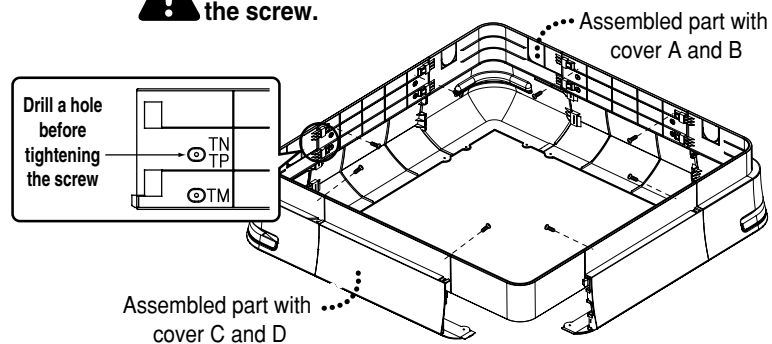


5 Assemble using cover C and D as shown in the picture and use the provided screws to tighten the covers. (6 locations)

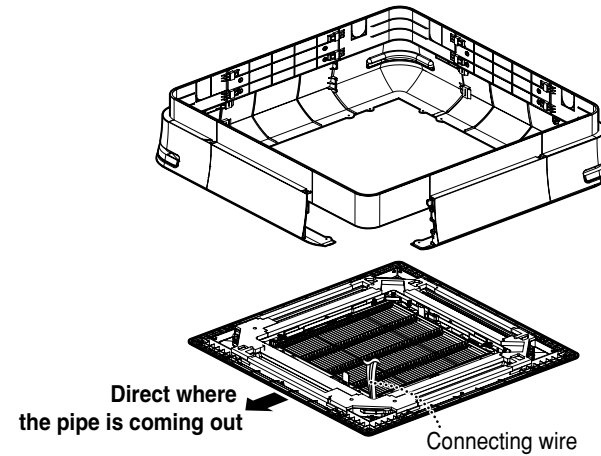


6 Set the assembled part with cover A and B, and the assembled part with cover C and D to the height of the indoor unit, and tighten the screws. (8 locations)

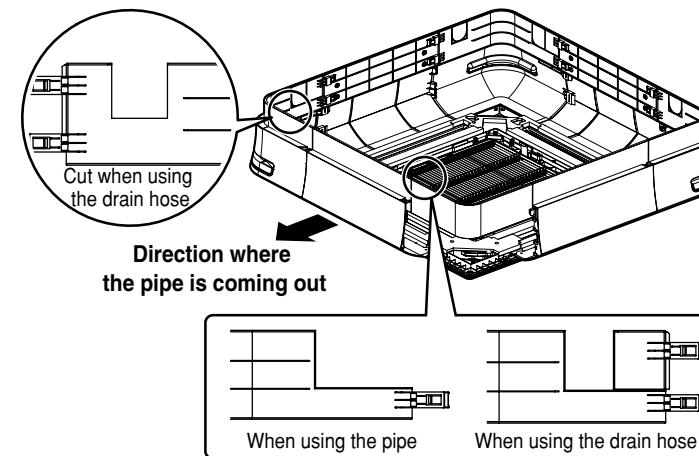
! For TN and TP, drill a hole before tightening the screw.



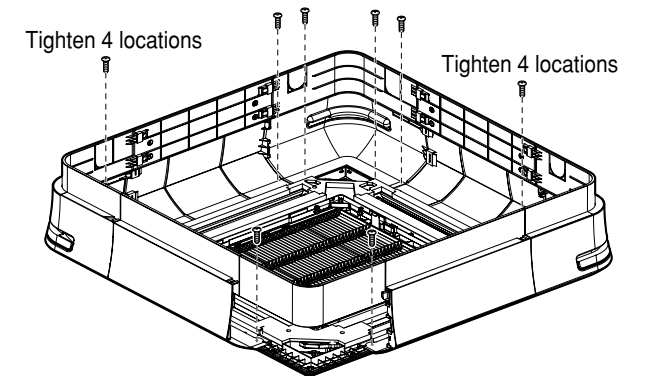
7 Check the direction of the front panel and set the cover on the panel. (The direction the connecting wire is coming out is the same as the location of the detachable cover.)



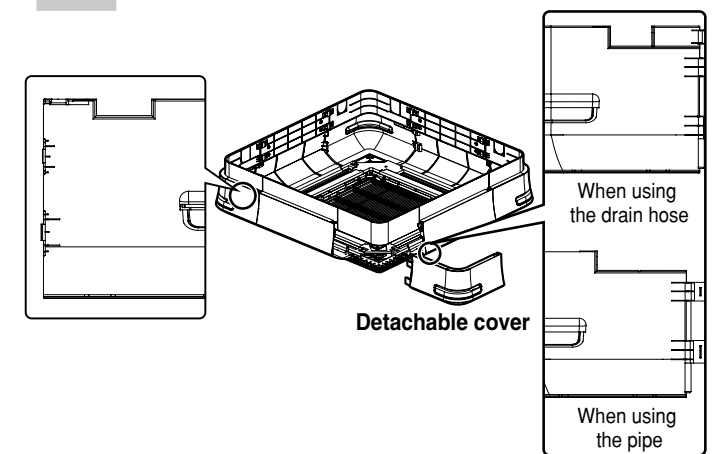
9 After selecting the direction you want, make holes for pipe and drain hose to fit the installation environment.



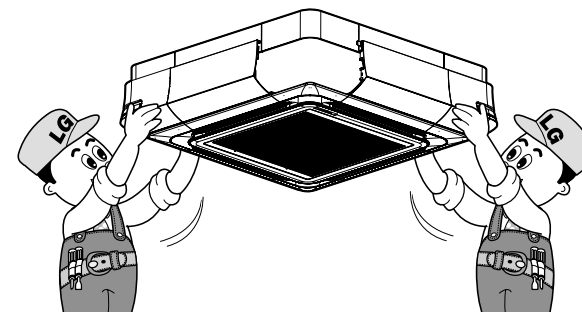
8 Use the provided screws to assemble the cover on the front panel. (14 locations)



10 For TN and TP model, drill a hole in cover C as well.



11 Hold the front panel while keeping it leveled to assemble the indoor unit. (Refer to product installation manual)



12 Assemble the detachable cover C.

