



Internal Use Only

<http://biz.lgservice.com>

Room Air Conditioner

SVC MANUAL(Exploded View)

**MODEL : AMNW07GDB*0 [MS07AW* NB0]
AMNW09GDB*0 [MS09AW* NB0]
AMNW12GDB*0 [MS12AW* NB0]**

CAUTION

Before Servicing the unit, read the safety precautions in General SVC manual.
Only for authorized service personnel.

1. Specification

Model			AMNW07GDB*0 [MS07AW* NB0]	AMNW09GDB*0 [MS09AW* NB0]	AMNW12GDB*0 [MS12AW* NB0]
Power supply	Ø/V/Hz		1/ 220~240/ 50	1/ 220~240/ 50	1/ 220~240/ 50
Current	A		0.15	0.15	0.15
Fan	Motor type		BLDC	BLDC	BLDC
	Fan type		Cross Flow Fan	Cross Flow Fan	Cross Flow Fan
Dimensions (W x H x D)	mm(inch)		895 x 285 x 205(35.2 x 11.2 x 8.07)	895 x 285 x 205(35.2 x 11.2 x 8.07)	895 x 285 x 205(35.2 x 11.2 x 8.07)
Piping connections	Liquid	mm(inch)	6.35 (1/4)	6.35 (1/4)	6.35 (1/4)
	Gas	mm(inch)	9.52 (3/8)	9.52 (3/8)	9.52 (3/8)
Power & Transmission cable	No. x mm ²		4*0.75	4*0.75	4*0.75

Note:

1. Capacities are based on the following conditions:

- Cooling: - Indoor Temperature 27°C DB/19°C WB
- Outdoor Temperature 35°C DB/24°C WB
- Heating: - Indoor Temperature 20°C DB/15°C WB
- Outdoor Temperature 7°C DB/6°C WB
- Piping Length - Interconnecting Piping Length 7.5m
- Level Difference of Zero

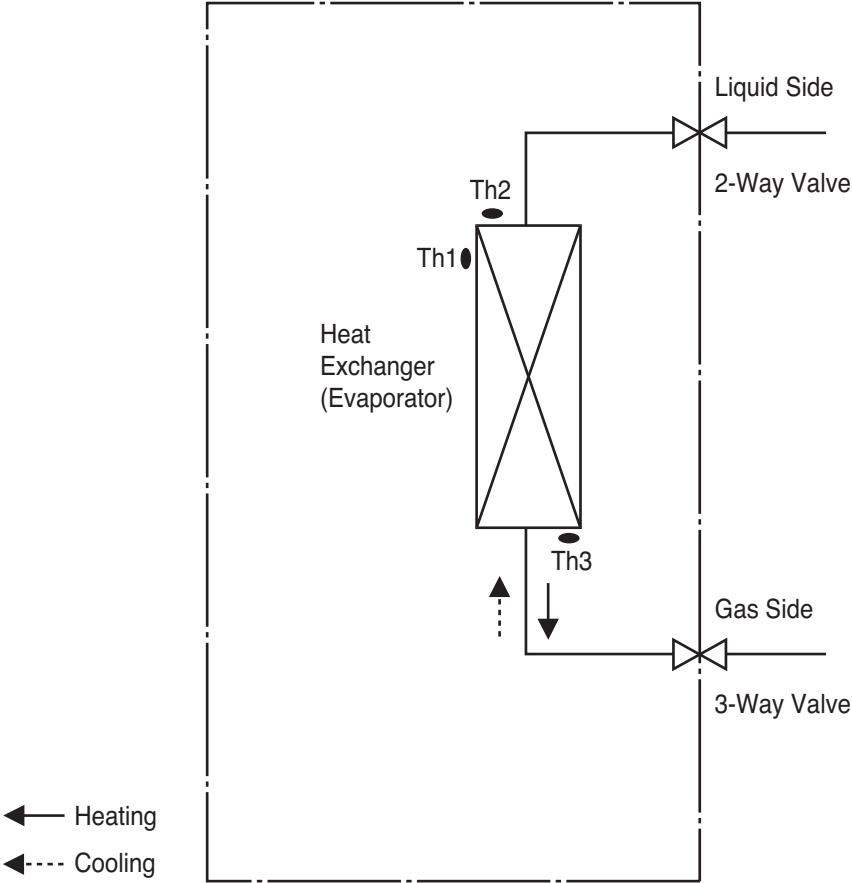
2. Wiring cable size must comply with the applicable local and national code.

3. The specification may be subject to change without prior notice for purpose of improvement.

Conversion Formula
kW = Btu/h x 0.0002931
cfm = CMM x 35.3

2. Piping Diagrams

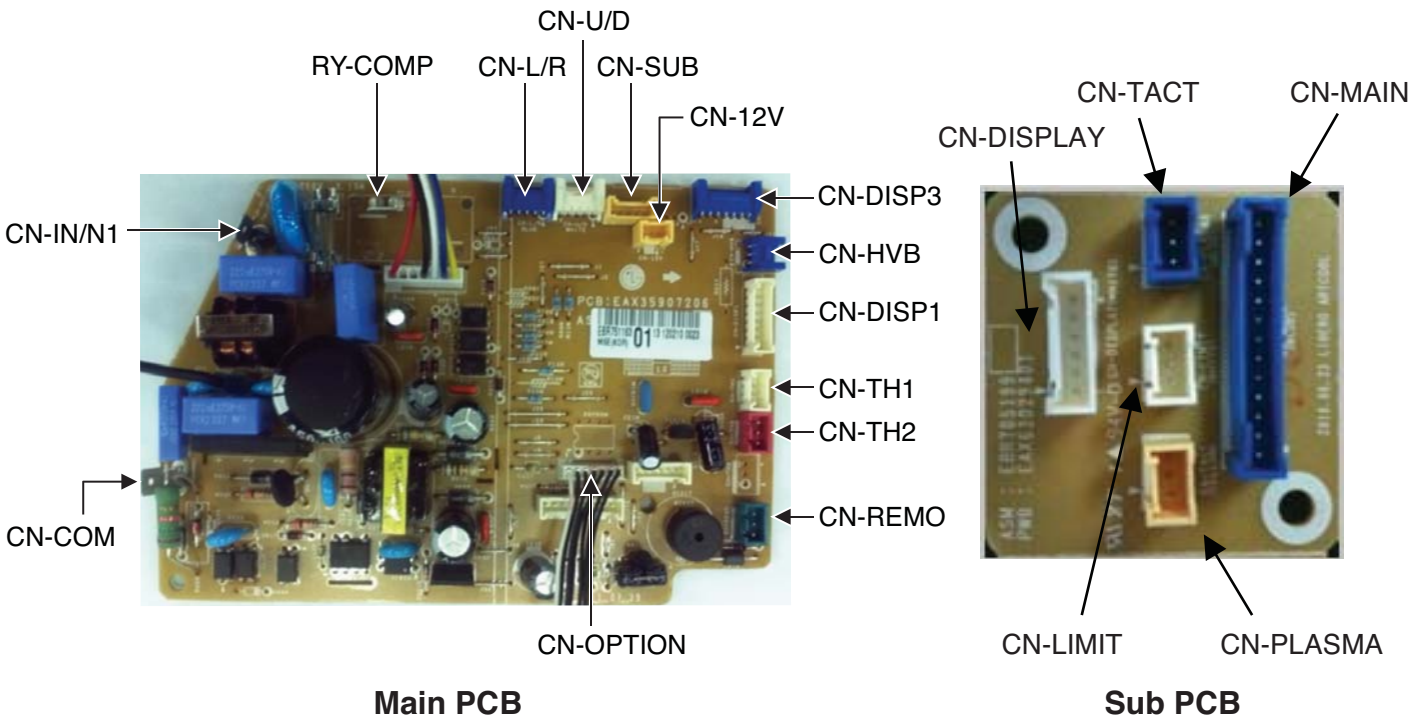
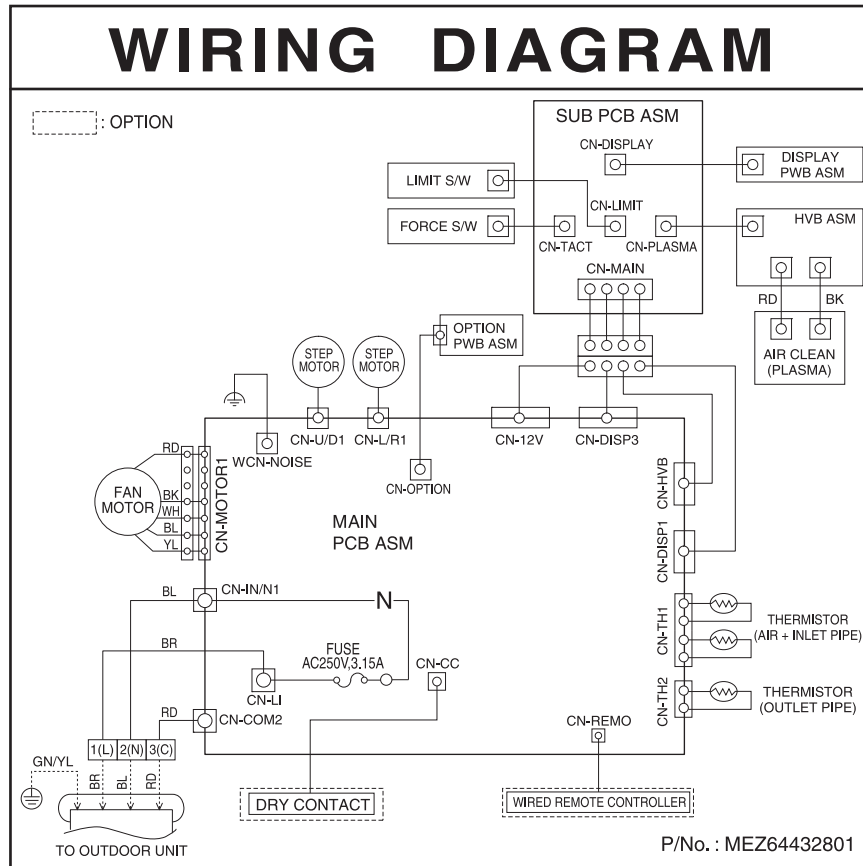
Indoor Unit



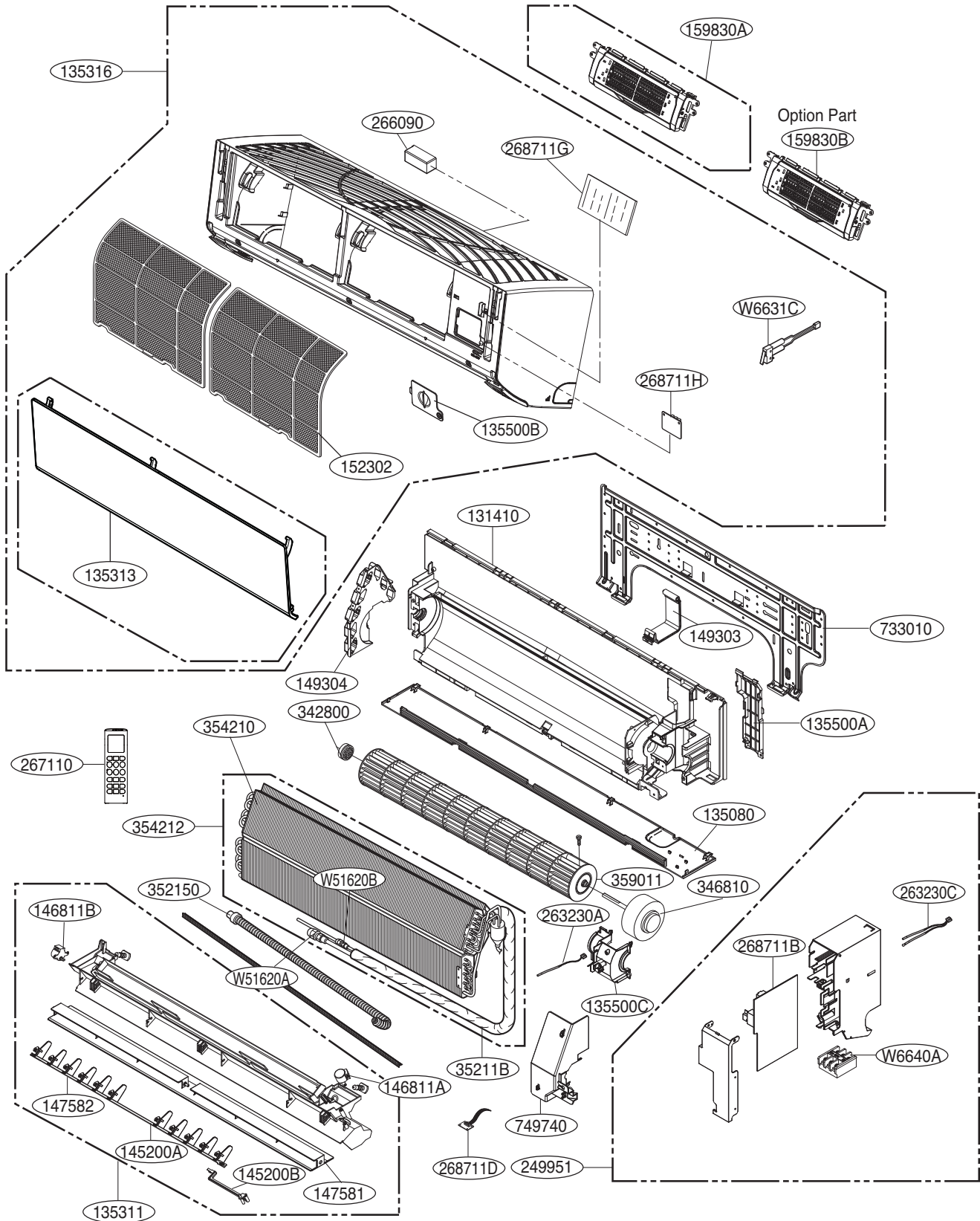
LOC.	Description	PCB Connector
Th1	Thermistor for suction air temperature	CN-TH1(Indoor)
Th2	Thermistor for evaporator inlet temperature	
Th3	Thermistor for evaporator outlet temperature	CN-TH2(Indoor)

3. Wiring Diagrams

Indoor Unit



4. Exploded View





P/NO : MFL67482701