



Internal Use Only

<http://biz.lgservice.com>

Room Air Conditioner

SVC MANUAL(Exploded View)

**MODEL : AMNW05GEWA0 [MS05SQ NW0]
AMNW07GEWA0 [MS07SQ NW0]**

CAUTION

Before Servicing the unit, read the safety precautions in General SVC manual.
Only for authorized service personnel.

1. Specification

Indoor

Model Name			AMNW05GEWA0 [MS05SQ NW0]	AMNW07GEWA0 [MS07SQ NW0]
Power Supply		V / Ø / Hz	220-240 / 1 / 50	220-240 / 1 / 50
Cooling Capacity	Nominal	kW	1.5 kW Class	2.1 kW Class
	Nominal	Btu/h	5,000 Btu/h Class	7,000 Btu/h Class
Heating Capacity	Nominal	kW	1.6 kW Class	2.3 kW Class
	Nominal	Btu/h	5,500 Btu/h Class	8,000 Btu/h Class
Casing Color		-	White	White
Dimensions	Body	W x H x D	mm	756 x 270 x 190
		W x H x D	inch	29-3/4 x 10-5/8 x 7-15/32
Net Weight	Body	kg (lbs)	7.2 (15.9)	7.2 (15.9)
Heat Exchanger	(Row x Column x Fins per inch) x No.		-	(2 x 12 x 20) x 1
	Face Area		m ² (ft ²)	0.14 (1.51)
Fan	Type		-	Cross Flow Fan
	Air Flow Rate	H / M / L	m ³ /min	8.1 / 6.9 / 6.3
		H / M / L	ft ³ /min	286 / 244 / 222
Fan Motor	Type		-	BLDC
	Output		W x No.	20 x 1
	Power Input		W x No.	-
	Running Current		A	0.10 x 1
Sound Pressure Level	H / M / L	dB(A)+3dB	36 / 30 / 27	36 / 30 / 27
Sound Power Level	Cooling	H / M / L	dB(A)	-
Piping Connections	Liquid		mm(inch)	Ø 6.35 (1/4)
	Gas		mm(inch)	Ø 9.52 (3/8)
	Drain (O.D. / I.D.)		mm	Ø 21.5 / 16.0
Safety Devices			-	Fuse
			-	Thermal Protector for Fan Motor
Power and Communication Cable (included Earth)		No. x mm ² (AWG)	4C x 0.75 (18)	4C x 0.75 (18)

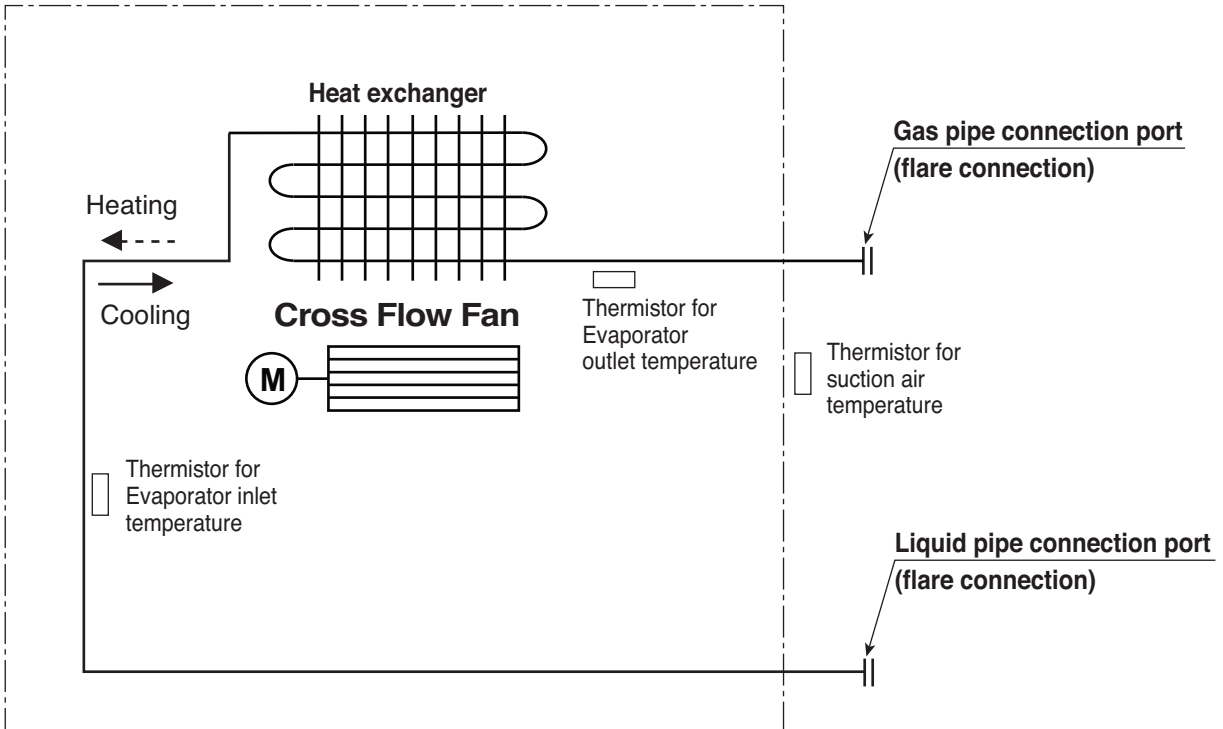
Note:

- Capacities are based on the following conditions:
 Cooling: - Indoor Temperature 27°C(80.6°F) DB/19°C(66.2°F) WB
 - Outdoor Temperature 35°C(95°F) DB/24°C(75.2°F) WB
 Heating: - Indoor Temperature 20°C(68°F) DB/15°C(59°F) WB
 - Outdoor Temperature 7°C(44.6°F) DB/6°C(42.8°F) WB
 Piping Length - Interconnecting Piping Length 7.5m
 - Level Difference of Zero

- Wiring cable size must comply with the applicable local and national code.
- The specification may be subject to change without prior notice for purpose of improvement.

Conversion Formula
kW = Btu/h x 0.0002931
cfm = CMM x 35.3

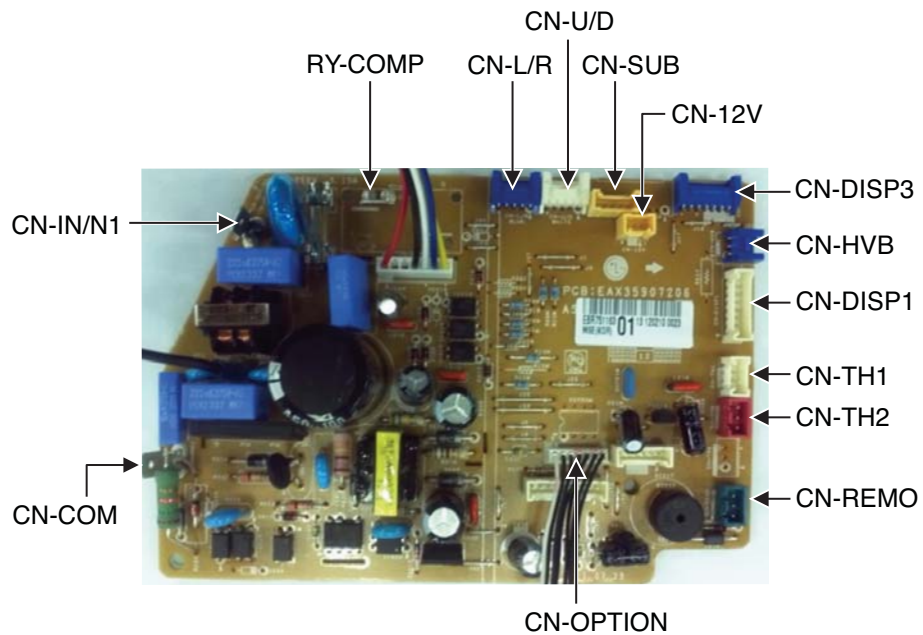
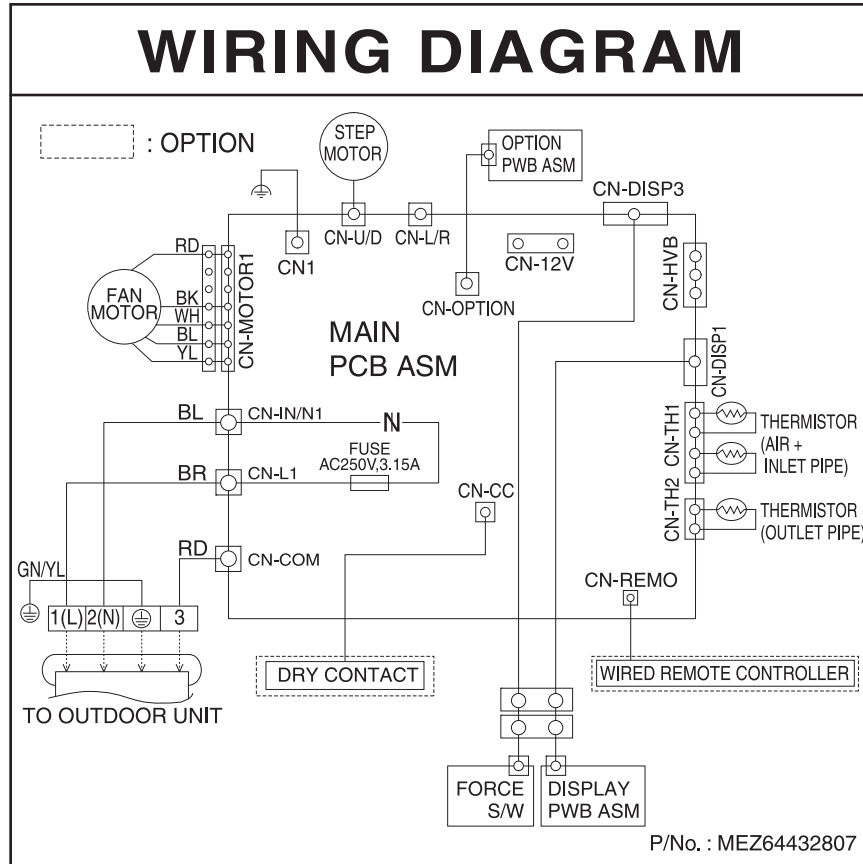
2. Piping Diagrams



Description	PCB Connector
Thermistor for suction air temperature	CN-TH1
Thermistor for evaporator inlet temperature	
Thermistor for evaporator outlet temperature	CN-TH2

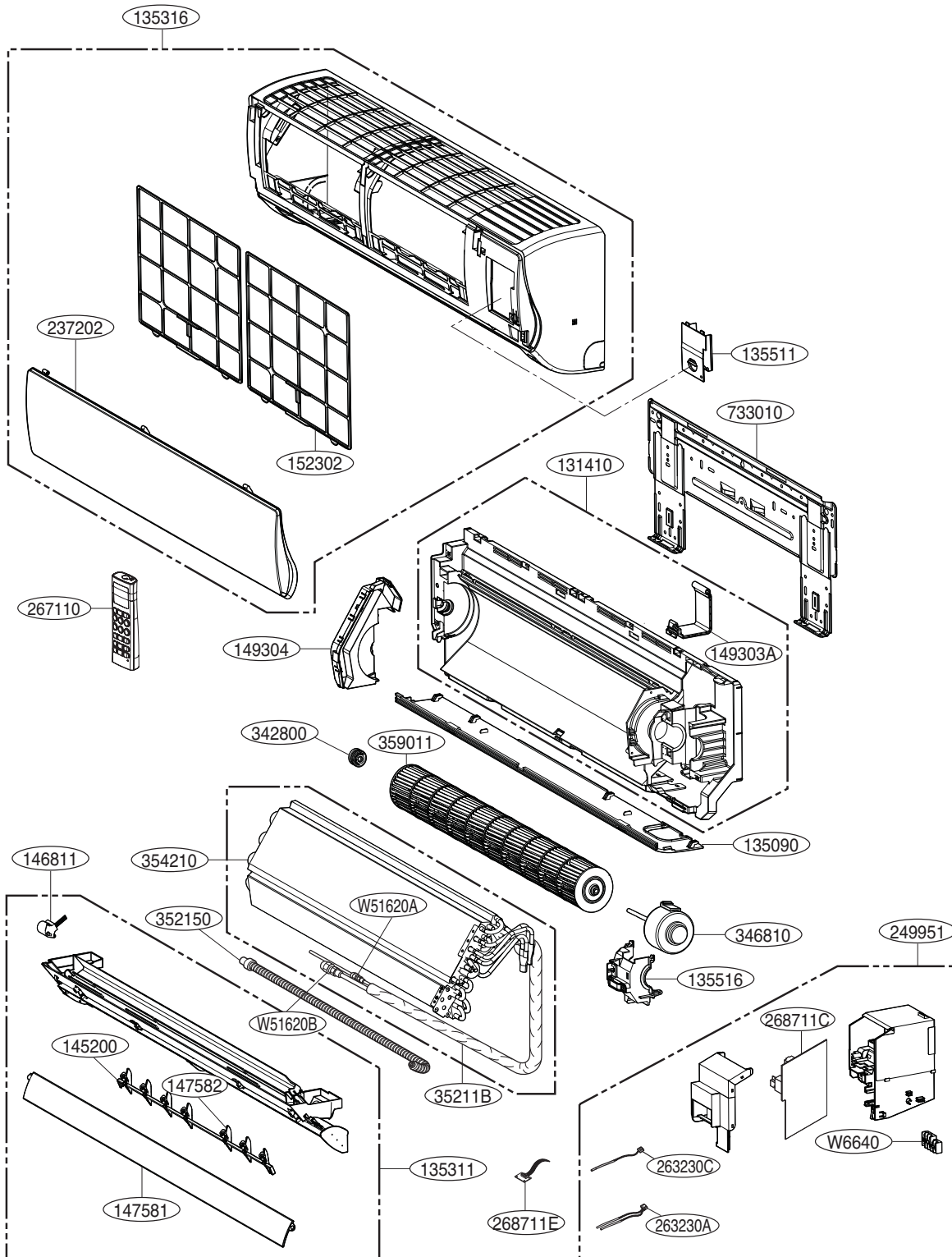
3. Wiring Diagrams

Indoor Unit



Main PCB

4. Exploded View



Note) * Please ensure GCSC since the replacement parts may be changed depending upon the buyer's request. Please check the correct parts in View RPL(Replacement Part List) on GCSC. (GCSC Website <http://www.lge.com>)



P/NO : MFL67699801