



Internal Use Only

<http://biz.lgservice.com>

LG Air Conditioner

SVC MANUAL(Exploded View)

MODEL : ABNW85GB9A0 [UB85 N94]

CAUTION

Before Servicing the unit, read the safety precautions in General SVC manual.
Only for authorized service personnel.

1. Specification

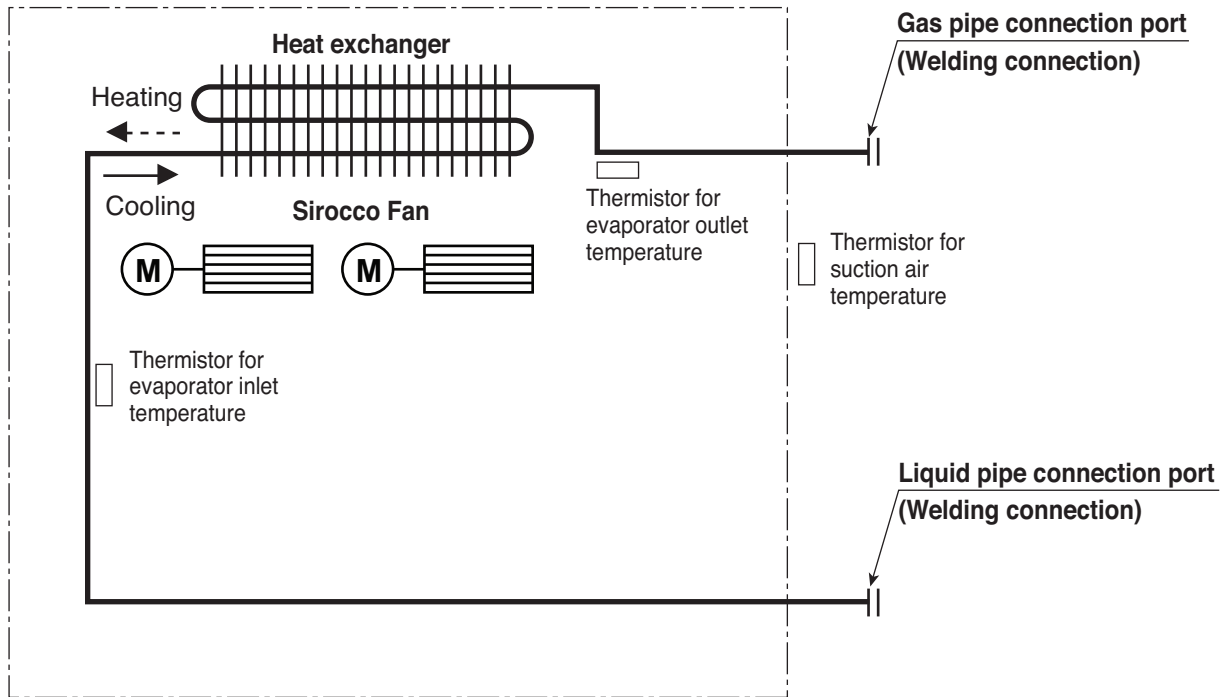
Indoor

Model Name			ABNW85GB9A0 [UB85 N94]		
Power Supply		V, Ø, Hz	220-240, 1, 50		
Power Input		W	-		
Running Current		A	3.00		
Dimensions	Body	W x H x D	mm	1,563 x 458 x 791	
		W x H x D	inch	61-17/32 x 18-1/32 x 31-5/32	
Net Weight		Body	kg (lbs)	90.0 (198.0)	
Heat Exchanger	(Row x Column x Fins per inch) x No.		-	(3 x 20x 18) x 1	
	Face Area		m ² (ft ²)	0.58 (6.28)	
Fan	Type		-	Sirocco Fan	
	Air Flow Rate	High-static Mode	H / M / L	m ³ /min	80.0 / 72.0 / 64.0
		(Factory Set)	H / M / L	ft ³ /min	2,825 / 2,542 / 2,260
	External Static Pressure		Pa (mmAq)	130 (1302)	
Fan Motor	Type		-	BLDC	
	Output		W x No.	375 x 2	
Dehumidification Rate		l / h (pts/h)	3.67 (8.5)		
Sound Pressure Level		H / M / L	dB(A)	43 / 41 / 40	
Sound Power Level		Max.	dB(A)	61	
Piping Connections	Liquid		mm(inch)	Ø 12.7 (1/2)	
	Gas		mm(inch)	Ø 22.2 (7/8)	
	Drain (O.D. / I.D.)		mm(inch)	Ø 32.0 / 25.0	
Safety Devices		-	Fuse		
		-	Thermal Protector for Fan Motor		
Power and Communication Cable (included Earth)		No. x mm ² (AWG)	4C x 1.0 (18)		

Notes :

1. Wiring cable size must comply with the applicable local and national code.
2. Due to our policy of innovation some specifications may be changed without notification.
3. Sound Level Values are measured at Anechoic chamber.
Therefore, these values can be increased owing to ambient conditions during operation.
4. : These models are connectable only with Single CAC outdoor units.

2. Piping Diagrams



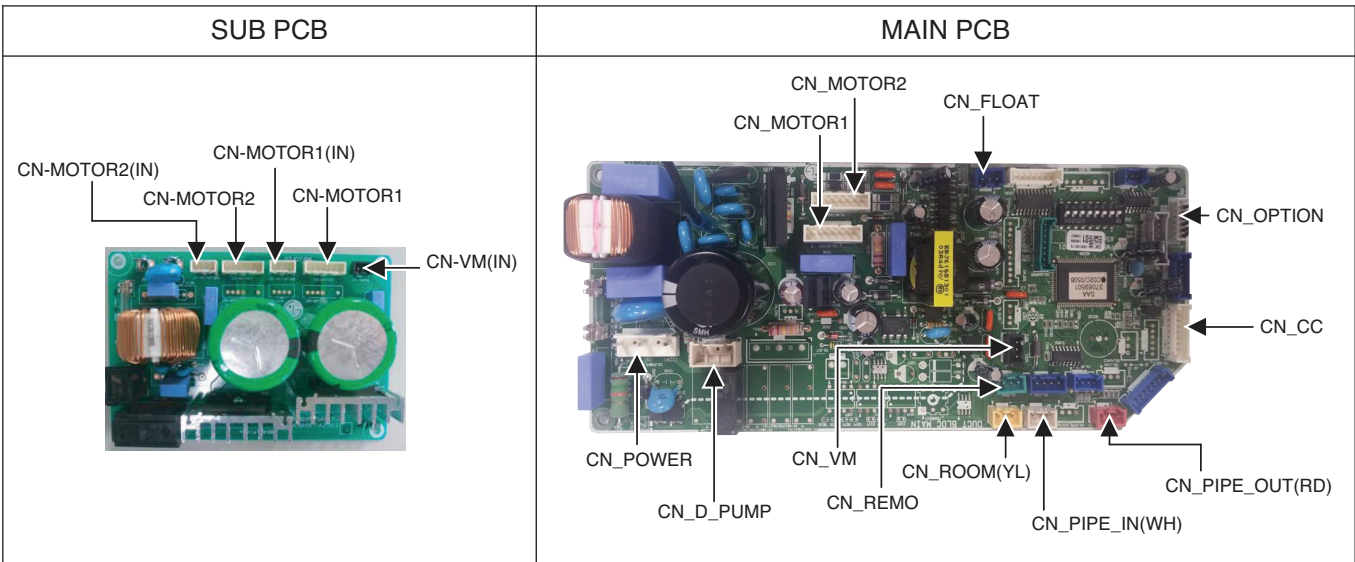
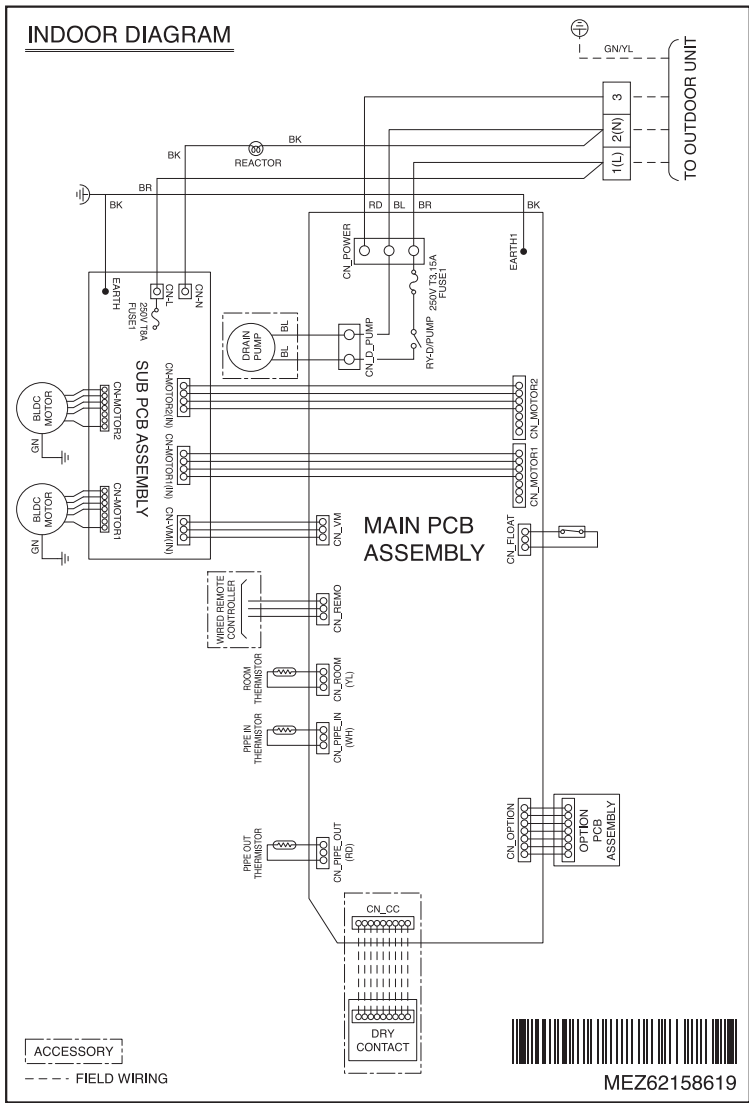
Description	PCB Connector
Thermistor for suction air temperature	CN_ROOM(YL)
Thermistor for evaporator inlet temperature	CN_PIPE_IN(WH)
Thermistor for evaporator outlet temperature	CN_PIPE_OUT(RD)

■ Refrigerant pipe connection port diameters

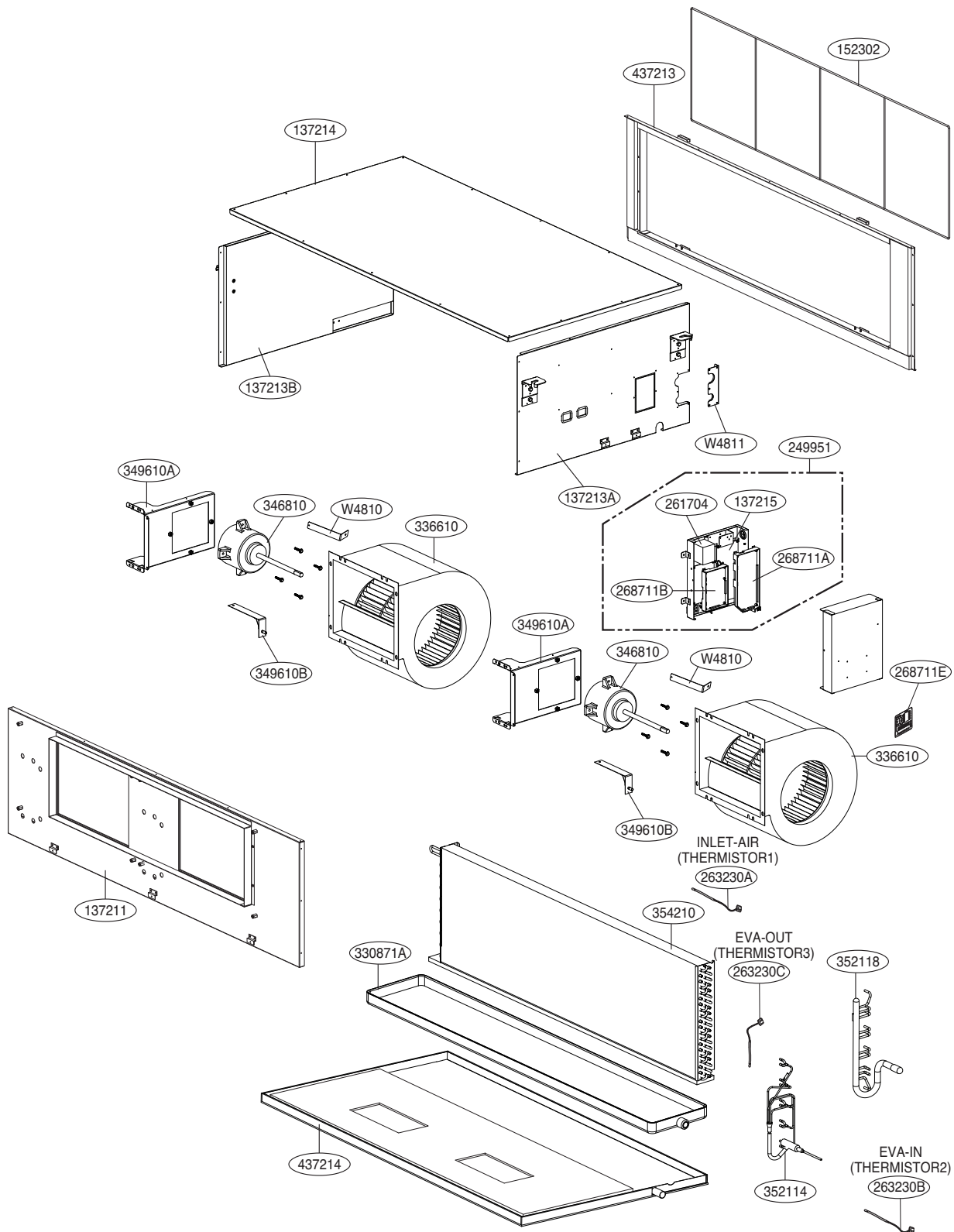
[Unit : mm]

Model	Gas	Liquid
ABNW85GB9A0[UB85 N94]	Ø22.2	Ø12.7

3. Wiring Diagrams



4. Exploded View



Thermistor 1	263230A	Air	Housing color : yellow
Thermistor 2	263230B	Eva. In	Housing color : white
Thermistor 3	263230C	Eva. out	Housing color : red



P/NO : MFL68606202

JUNE, 2014