



Internal Use Only

<http://www.lge.com>

# Room Air Conditioner

## **SVC MANUAL(Exploded View)**

**MODEL : AMNW18GECA0 [MS18SQ NC0]  
AMNW24GECA0 [MS24SQ NC0]**

### **CAUTION**

Before Servicing the unit, read the safety precautions in General SVC manual.  
Only for authorized service personnel.

# 1. Specification

## Indoor

Model			AMNW18GECA0 [MS18SQ NC0]	AMNW24GECA0 [MS24SQ NC0]
Power supply	Ø/V/Hz		1/220-240/50	1/220-240/50
Current (Cooling/Heating)	A		6.6/7.3	9.8/10.4
Fan	Motor type		BLDC	BLDC
	Fan type		Cross Flow Fan	Cross Flow Fan
Piping connections	Liquid	mm(inch)	6.35(1/4)	6.35(1/4)
	Gas	mm(inch)	12.70(1/2)	12.70(1/2)
Dimensions (W*H*D)		mm	1030*325*250	1030*325*250
		inch	40.6*12.8*9.84	40.6*12.8*9.84
Refrigerant control			EEV(in Outdoor Unit or BD)	
Power&transmission cable	No. x mm <sup>2</sup>		4*1.0(Including Earth)	4*1.0(Including Earth)

### Note:

1. Capacities are based on the following conditions:

- Cooling: - Indoor Temperature 27°C(80.6°F) DB/19°C(66.2°F) WB
- Outdoor Temperature 35°C(95°F) DB/24°C(75.2°F) WB
- Heating: - Indoor Temperature 20°C(68°F) DB/15°C(59°F) WB
- Outdoor Temperature 7°C(44.6°F) DB/6°C(42.8°F) WB

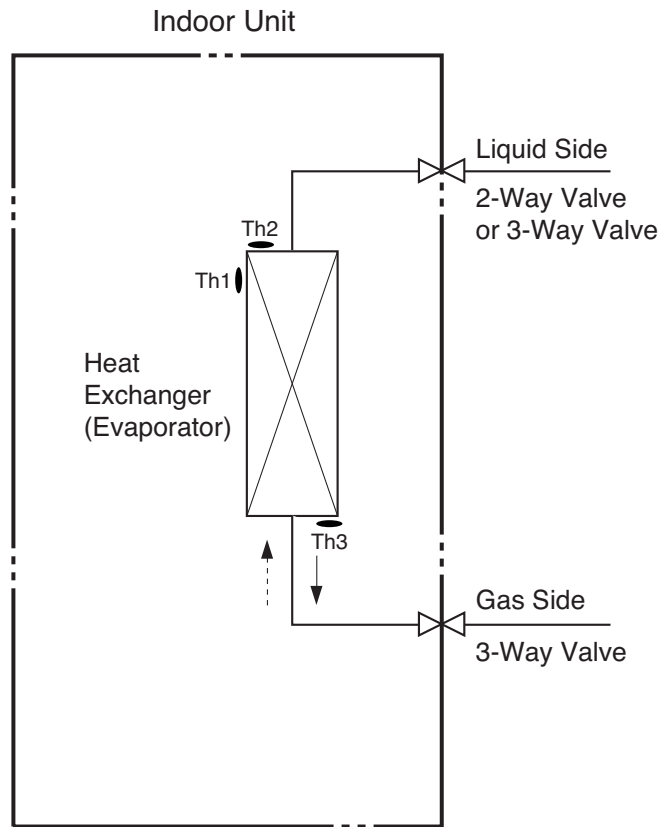
Piping Length - Interconnecting Piping Length 7.5m  
- Level Difference of Zero

2. Wiring cable size must comply with the applicable local and national code.

3. The specification may be subject to change without prior notice for purpose of improvement.

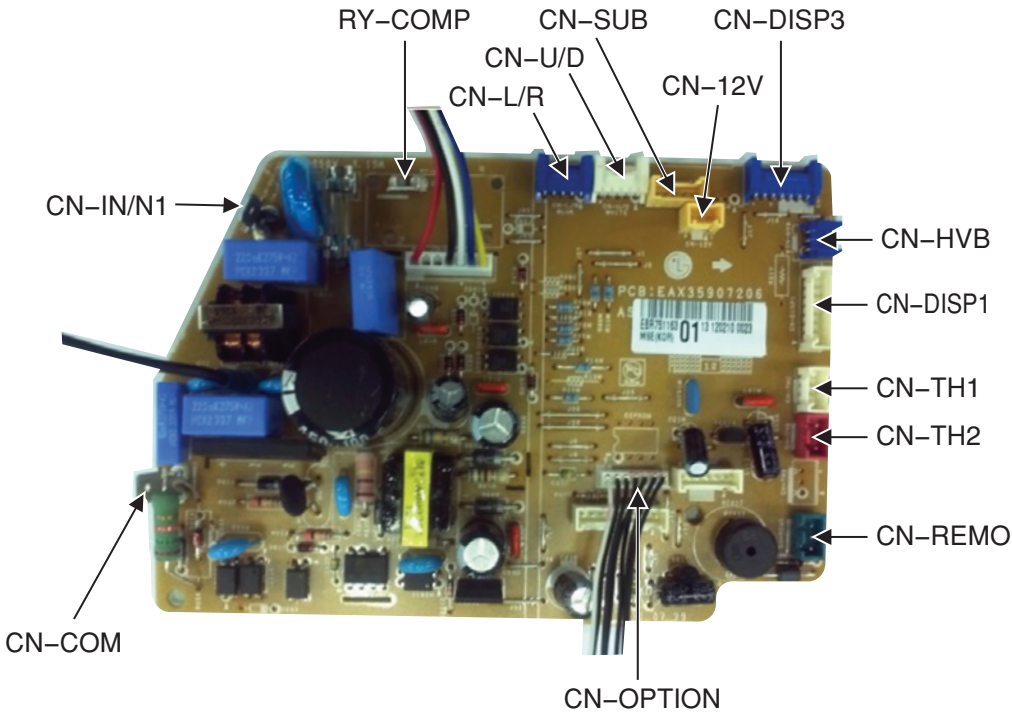
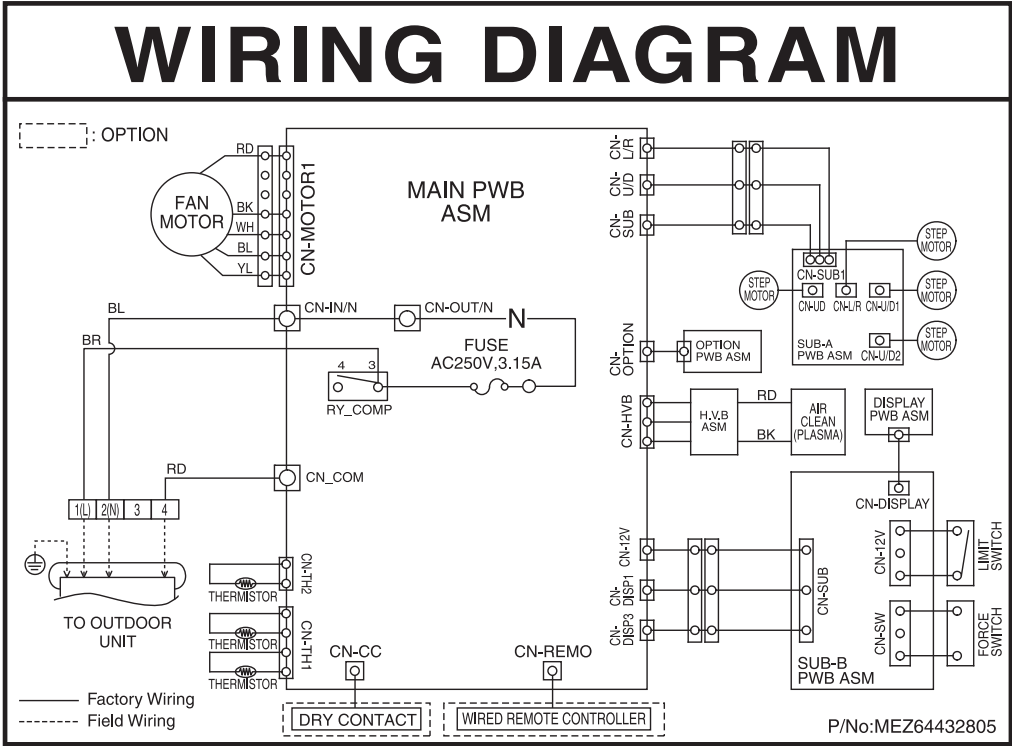
Conversion Formula
kW = Btu/h x 0.0002931
cfm = CMM x 35.3

## 2. Piping Diagrams



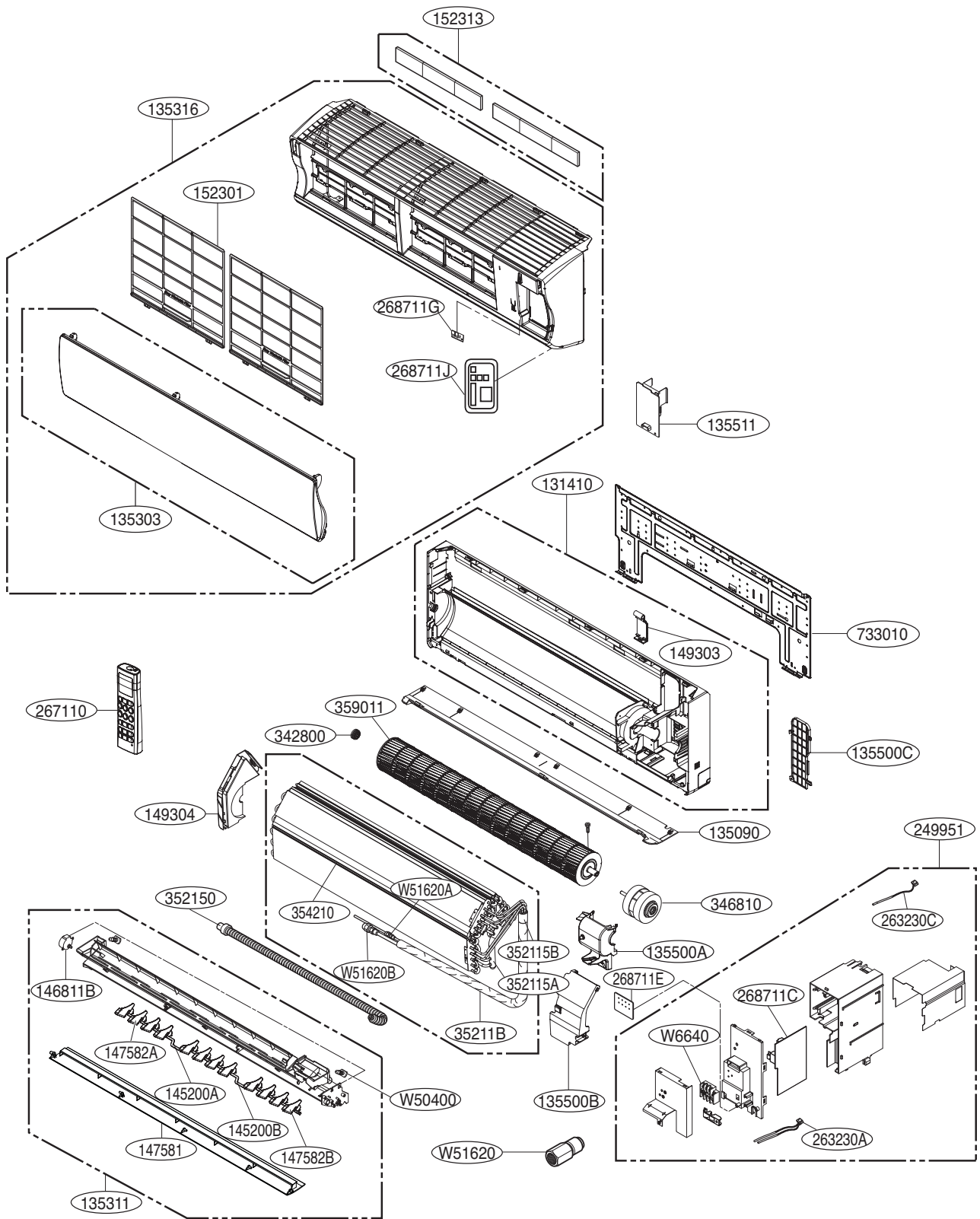
LOC.	Description	PCB Connector
Th1	Thermistor for suction air temperature	CN-TH1(Indoor)
Th2	Thermistor for evaporator inlet temperature	
Th3	Thermistor for evaporator outlet temperature	CN-TH2(Indoor)

# 3. Wiring Diagrams



**Main PCB**

# 4. Exploded View



Note) \* Please ensure GCSC since the replacement parts may be changed depending upon the buyer's request. Please check the correct parts in View RPL(Replacement Part List) on GCSC. (GCSC Website <http://www.lge.com>)



P/NO : MFL67482704

APRIL, 2014