

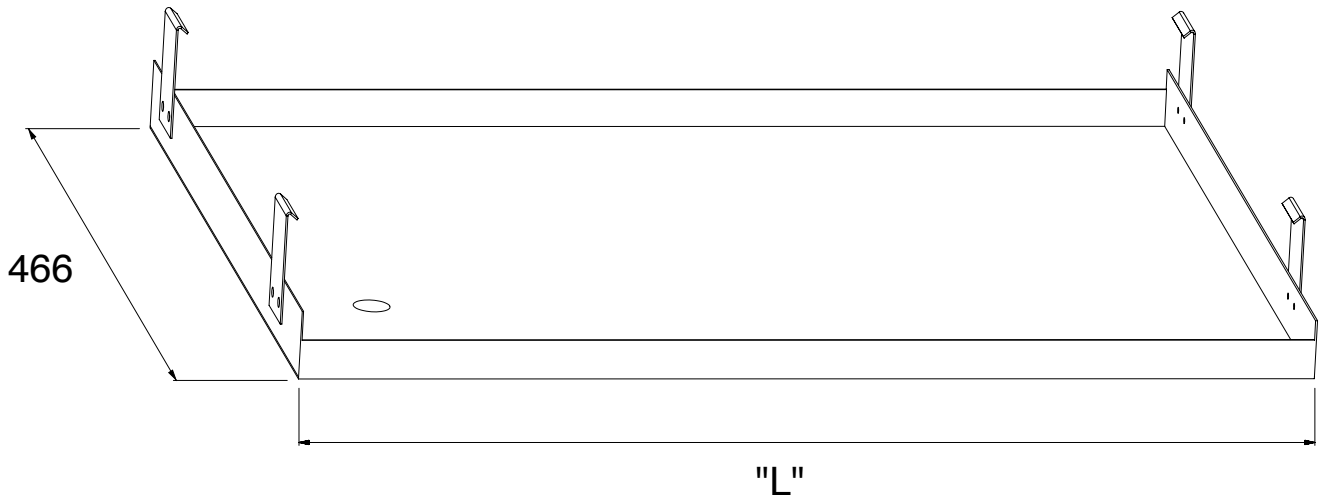
# Outdoor Drain Pan

P/No.MEZ62225504

## USAGE

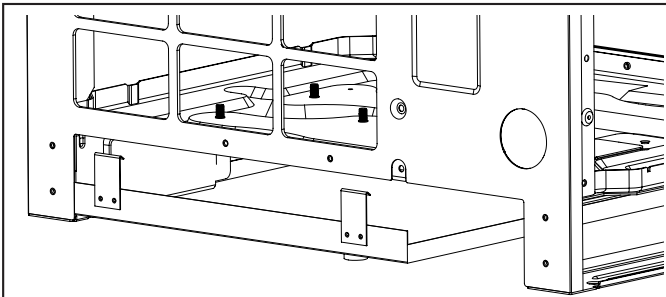
- This unit can be applied for outdoor unit's drain

## SPEC

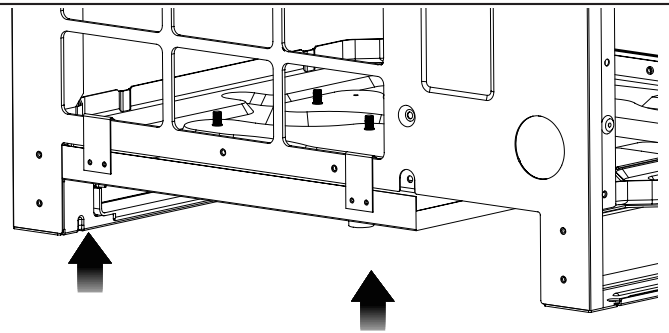


Model	L	Remark
PRODX10	618mm	UX1
PRODX20	920mm	UX2
PRODX30	1240mm	UX3

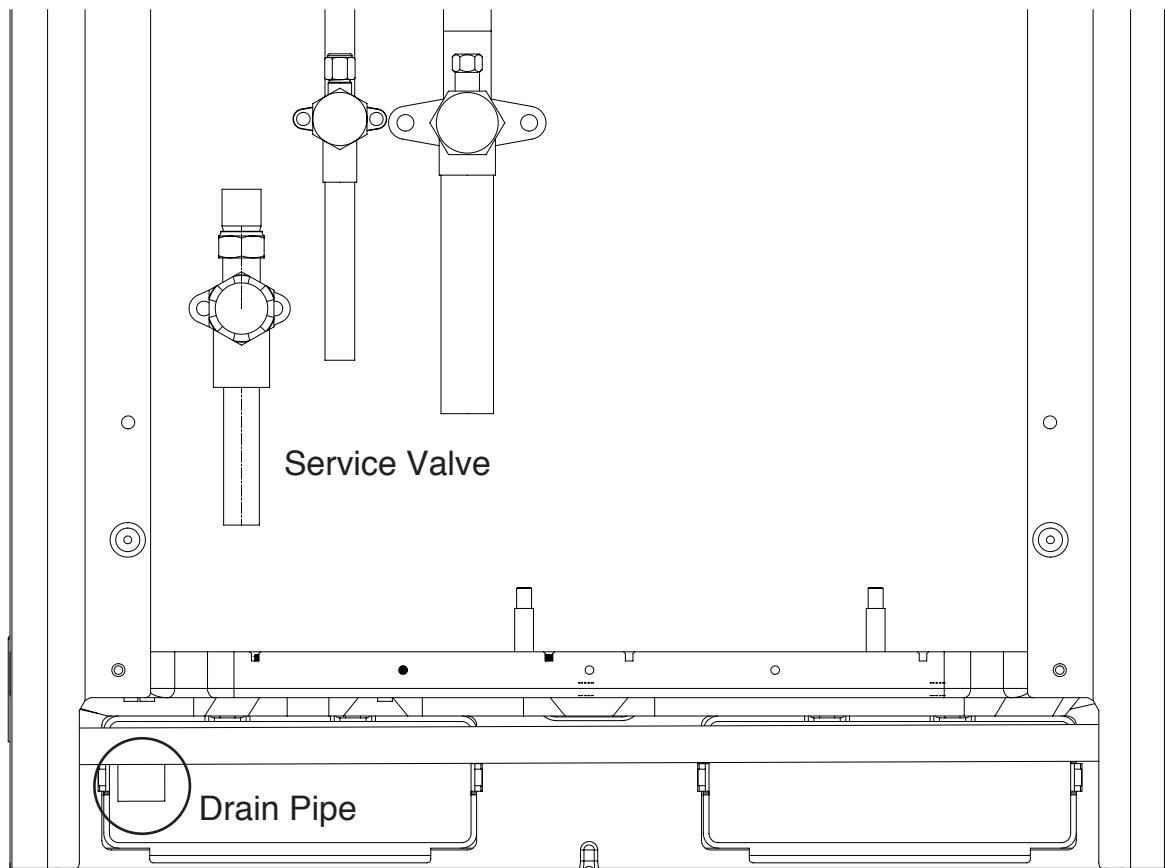
## INSTALLATION



Tuck drain pan below base pan



Push drain pan In the direction of the arrow.  
Brackets can be fixed on the side panel



\* In case of the installation of drain pan, drain pipe should be located below the SVC valve.

- This unit does not cover water drops of the outside product
- Connect drain hose to drain pipe for drain condensate