



Internal Use Only

<http://biz.lgservice.com>

Multi Air Conditioner

SVC MANUAL(Exploded View)

**MODEL : A4UW24GFA0 [MU4M25 U42]
A4UW27GFA0 [MU4M27 U42]**

CAUTION

Before Servicing the unit, read the safety precautions in General SVC manual.
Only for authorized service personnel.

1. Specification

Outdoor unit				A4UW24GFA0 [MU4M25 U42]	A4UW27GFA0 [MU4M27 U42]
Testing Combination				MS07AQ NB0 x 4EA	MS07AQ NB0 x 4EA
Capacity	Cooling	Min.~Rated~Max.	kW	4.22 ~ 7.03 ~ 8.35	4.92 ~ 7.91 ~ 9.49
		Min.~Rated~Max.	Btu/h	14,400 ~ 24,000 ~ 28,500	16,800 ~ 27,000 ~ 32,400
	Heating	Min.~Rated~Max.	kW	5.06 ~ 8.44 ~ 9.23	5.90 ~ 9.08 ~ 10.5
		Min.~Rated~Max.	Btu/h	17,280 ~ 28,800 ~ 31,500	20,160 ~ 31,000 ~ 36,000
Power Input	Cooling	Min.~Rated~Max.	kW	0.99 ~ 1.67 ~ 2.51	1.17 ~ 1.98 ~ 3.01
	Heating	Min.~Rated~Max.	kW	1.11 ~ 1.80 ~ 2.91	1.23 ~ 2.01 ~ 3.60
EER / COP			W / W	4.21 / 4.69	4.00 / 4.52
Energy Efficiency Class (Rated)	Cooling / Heating		-	A / A	A / A
SEER / SCOP			Wh / Wh	6.10 / 3.81	6.10 / 3.81
Energy Efficiency Class (Seasonal)	Cooling / Heating		-	A++ / A	A++ / A
P-design	Cooling / Heating(@-10°C)		kW	7.0 / 7.7	7.9 / 7.7
Power Supply			V, Ø, Hz	220-240 / 1 / 50	220-240 / 1 / 50
Running Current	Cooling	Min.~Rated~Max.	A	4.4 ~ 7.2 ~ 11.1	5.2 ~ 8.5 ~ 13.2
	Heating	Min.~Rated~Max.	A	4.9 ~ 8.1 ~ 12.8	5.5 ~ 9.1 ~ 15.8
Starting Current	Cooling	Max.	A	-	-
	Heating	Max.	A	-	-
Wiring Connections	Power Supply Cable (included Earth)		No. x mm ² (AWG)	3C x 2.5 (12)	3C x 2.5 (12)
	Power and Communication Cable (included Earth)	Outdoor ~ BD unit	No. x mm ² (AWG)	-	-
Combination	Sum of Indoor Units Capacity		kBtu/h	39	41
	Number of Indoor Units		EA	4	4
	Number of BD Units		EA	-	-
Casing Color			-	Warm Gray	Warm Gray
Dimensions	W x H x D		mm	950 x 834 x 330	950 x 834 x 330
	W x H x D		inch	37-13/32 x 32-27/32 x 13	37-13/32 x 32-27/32 x 13
Net Weight			kg (lbs)	64 (141.1)	64 (141.1)
Compressor	Type	-		Twin Rotary	Twin Rotary
	Model	Model x No.		GJT240MA x 1	GJT240MA x 1
	Motor type	-		BLDC	BLDC
	Motor Output	W x No.		2,020 (at 60Hz) x 1	2,020 (at 60Hz) x 1
Refrigerant	Type	-		R410A	R410A
	Precharged Amount	g (oz)		3,200 (112.9)	3,200 (112.9)
	Chargeless-Pipe Length	m (ft)		37.5 (123)	37.5 (123)
	Additional Charging Volume	g/m (oz/ft)		20 (0.22)	20 (0.22)
Refrigerant Oil	Control	-		Electronic Expansion Valve	Electronic Expansion Valve
	Type	-		FVC68D	FVC68D
Heat Exchanger	Charged volume		cc x No.	900 x 1	900 x 1
	(Row x Column x Fins per inch) x No.		-	(2 x 38 x 14) x 1	(2 x 38 x 14) x 1
Fan	Type	-		Propeller	Propeller
	Air Flow Rate	m ³ /min x No. x No.		60 x 1	60 x 1
Fan Motor	Type	-		BLDC	BLDC
	Output	W x No.		124.2 x 1	124.2 x 1
Sound Pressure Level	Cooling	Rated	dB(A)	51	51
	Heating	Rated	dB(A)	53	53
Sound Power Level	Cooling	Rated	dB(A)	62	63
	Liquid		Outer Dia. mm(inch) x No.	Ø 6.35 (1/4) x 4	Ø 6.35 (1/4) x 4
Piping Connections	Gas		Outer Dia. mm(inch) x No.	Ø 9.52 (3/8) x 4	Ø 9.52 (3/8) x 4
	Total Piping	Max.	m (ft)	70 (229.7)	70 (229.7)
Piping Length	Main Piping	Max.	m (ft)	-	-
	Total Branch Piping	Max.	m (ft)	-	-
	Each Branch Piping	Max.	m (ft)	25 (82.0)	25 (82.0)
	Outdoor Unit ~ Indoor Unit	Max.	m (ft)	15 (49.2)	15 (49.2)
Maximum Height Difference	Indoor Unit ~ Indoor Unit	Max.	m (ft)	7.5 (24.6)	7.5 (24.6)
	Operation Range (Outdoor Temperature)	Cooling	Min. ~ Max. °C DB (°F DB)	-10 (14.0) ~ 48 (118.4)	-10 (14.0) ~ 48 (118.4)
Heating		Min. ~ Max. °C WB (°F WB)	-18 (-0.4) ~ 18 (64.4)	-18 (-0.4) ~ 18 (64.4)	

Note:

- All data are based on the following conditions:
 - Cooling Temperature : Indoor 27°C(80.6°F) DB / 19°C(66.2°F) WB
Outdoor 35°C(95°F) DB / 24°C(75.2°F) WB
 - Heating Temperature : Indoor 20°C(68°F) DB / 15°C(59°F) WB
Outdoor 7°C(44.6°F) DB / 6°C(42.8°F) WB
 - Piping Length : Interconnected Pipe Length = 7.5m
 - Difference Limit of Elevation (Outdoor ~ Indoor Unit) is Zero.
- Wiring cable size must comply with the applicable local and national code.
- Due to our policy of innovation some specifications may be changed without notification.
- Sound Level Values are measured at Anechoic chamber. Therefore, these values can be increased(maximum 3dB(A)) owing to ambient conditions during operation.

2. List of Functions & Accessory

2.1 List of Functions

Category	Functions	A4UW24GFA0 [MU4M25 U42] A4UW27GFA0 [MU4M27 U42]
Reliability	Defrost / Deicing	O
	High pressure switch	X
	Low pressure switch	X
	Phase protection	X
	Restart delay (3-minutes)	O
	Self diagnosis	O
	Soft start	O
	Test function	X
Convenience	Night Silent Operation	O
Network function	Network solution (LGAP)	O

Note :

O : Applied, x : Not applied

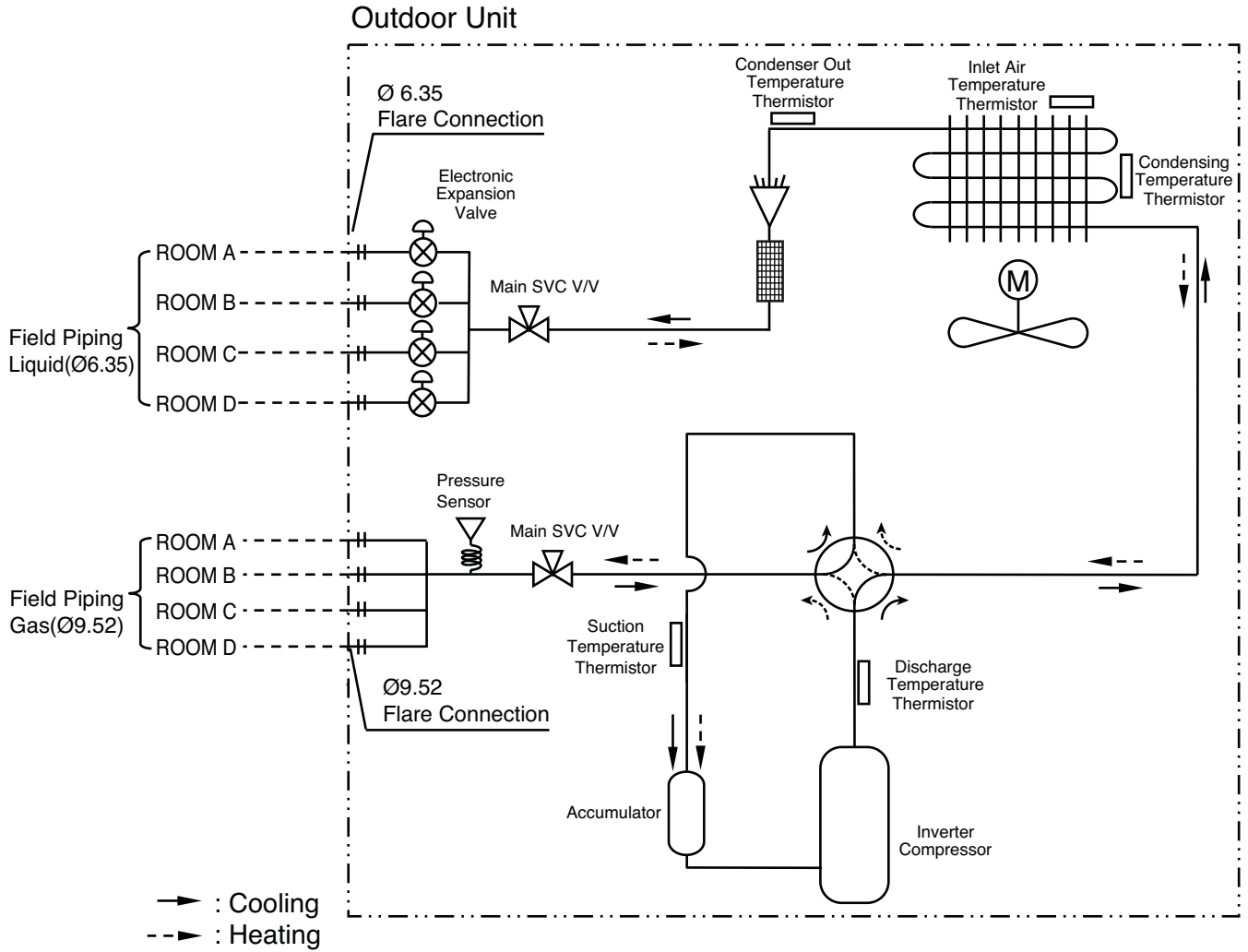
* Option : Model name & price are different according to options, and assembled in factory with main unit.

Accessory model name : Installed at field, ordered and purchased separately by the corresponding model name, supplied with separate package.

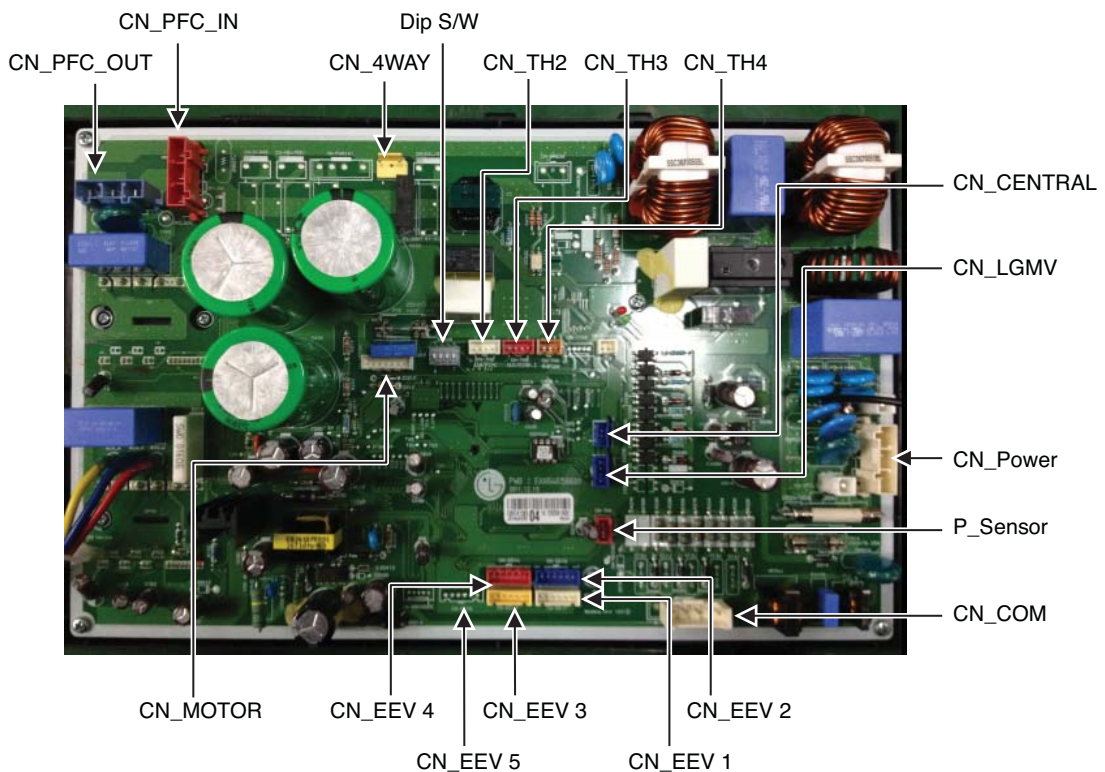
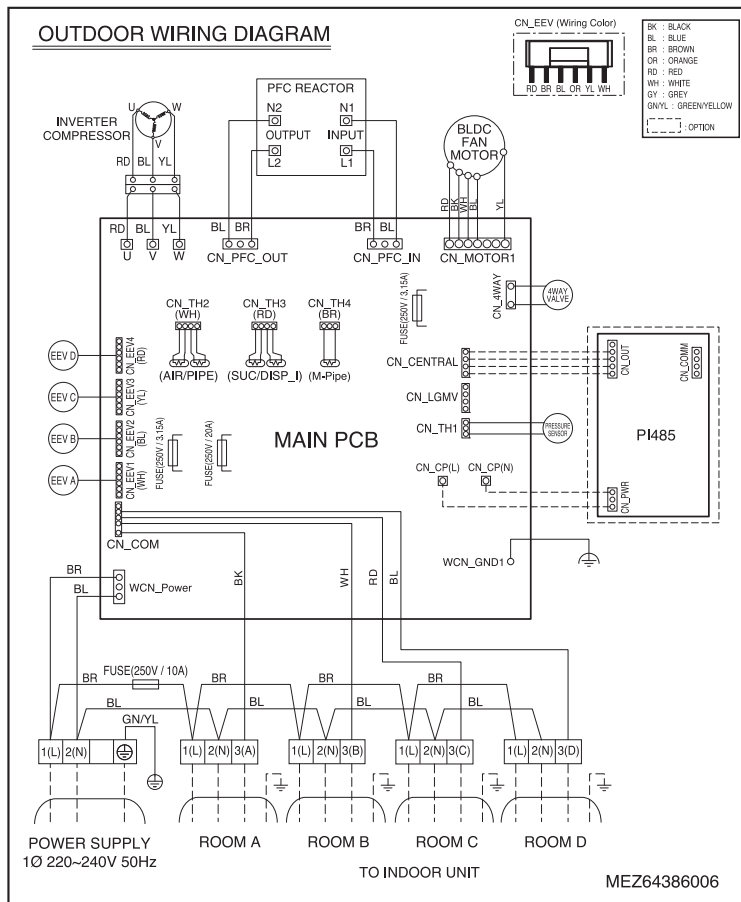
2.2 List of Accessory

Device	A4UW24GFA0 [MU4M25 U42] A4UW27GFA0 [MU4M27 U42]	
Central Controller	Simple Controller	PQCSB101S0
	Function controller	PQCSB101S0 + PQCSC101S0
	Function Scheduler	PQCSB101S0 + PQCSD130A0
	AC Ez	PQCSZ250S0
	AC Smart II	PQCSW320A1E
	Option Kit (SD card type)	PQCSE341A0 / PQCSE342A0
	ACP(Advanced Control Platform)	PQCPA11A0E / PQCPB11A0E
	AC Manager	PQCSS520A0E
	PI485	PMNFP14A0/PMNFP14A1
	DO(Digital Output) Kit	PQNFP00T0
BNU	LONWORKS Gateway	PQNFB16A1
(Building Network Unit)	BACnet Gateway	PQNFB17B0
Installation	Y branch	Accessory
	Header branch	Accessory
	Air Guide	X
ODU Dry Contact		X
Low Ambient Kit		O (Logical operation)

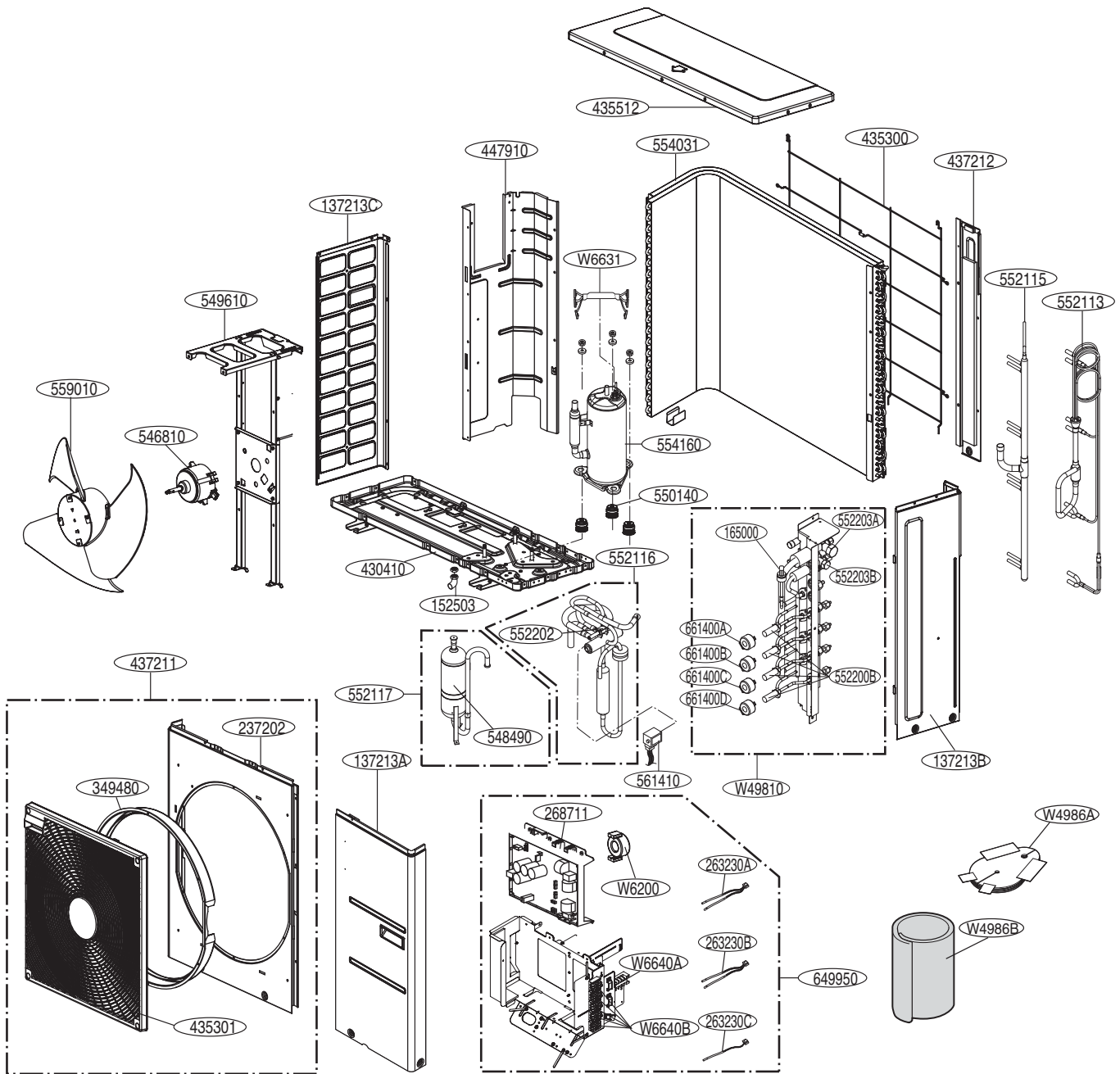
3. Piping Diagrams



4. Wiring Diagrams



5. Exploded View



Location No.	Description	Sensor Information	Housing Color
263230A	Temp.Sensor(CN_TH2)	Air / Cond Out Pipe	Red
263230B	Temp.Sensor(CN_TH3)	Suction / Discharge Pipe	White
263230C	Temp.Sensor(CN_TH4)	Cond Mid Pipe	Orange
165000	Pressure Sensor(P-Sensor(H))	Pressure Sensor	Red



P/NO : MFL67501202

APRIL, 2016