



# **LG Air Conditioner**

## **SVC MANUAL(Exploded View)**

**Type : Ceiling Suspended Air conditioner**

**MODEL : UVNH36GLLA1**

### **CAUTION**

Before Servicing the unit, read the safety precautions in General SVC manual.  
Only for authorized service personnel.

# 1. Specification

## Indoor

Indoor Unit Type			Ceiling Suspended type
Model			UVNH36GLLA1
Decorative Panel Model			-
Power Supply		Ø / V / Hz	1/220-240/50
Current	Nominal Running Current	A	0.67 x 2
Fan	Motor Type		BLDC
	Fan Type		Sirocco Fan
	Motor Output(W) x No. of Unit		154 x 2
	Air Flow Rate (H / M / L)	CMM	28.6 / 26.9 / 25.2
		cfm	1010 / 950 / 890
	External Static Pressure	mmAq	-
	Capacitor	µF / Vac	-
Drive		Direct Drive	
Coil	Row x Column x FPI		3R x 14C x 17FPI
Dimensions (W x H x D)	Body	mm(inch)	1750 x 220 x 650 (68.9 x 8.7 x 25.6)
	Decorative Panel	mm(inch)	-
Net Weight	Body	kg (lbs)	45 (99.2)
	Decorative Panel	kg (lbs)	-
Sound Level (H / M / L)		dB(A)+3	44 / 42 / 40
Piping Connections	Liquid	mm (inch)	9.52 (3/8)
	Gas	mm (inch)	15.88 (5/8)
	Drain(OD/ID)	mm	20/16
Dehumidification Rate		l/h	2.93
Safety Devices			Fuse
Temperature Sensor			Thermistor
Referigerant			R410A
Referigerant Control			EEV (Outdoor Unit)
Connectable Outdoor Unit			AUJW366DH1
Power and Transmission Interunit Cable		No. x mm <sup>2</sup>	4 x 0.75 (included earth)

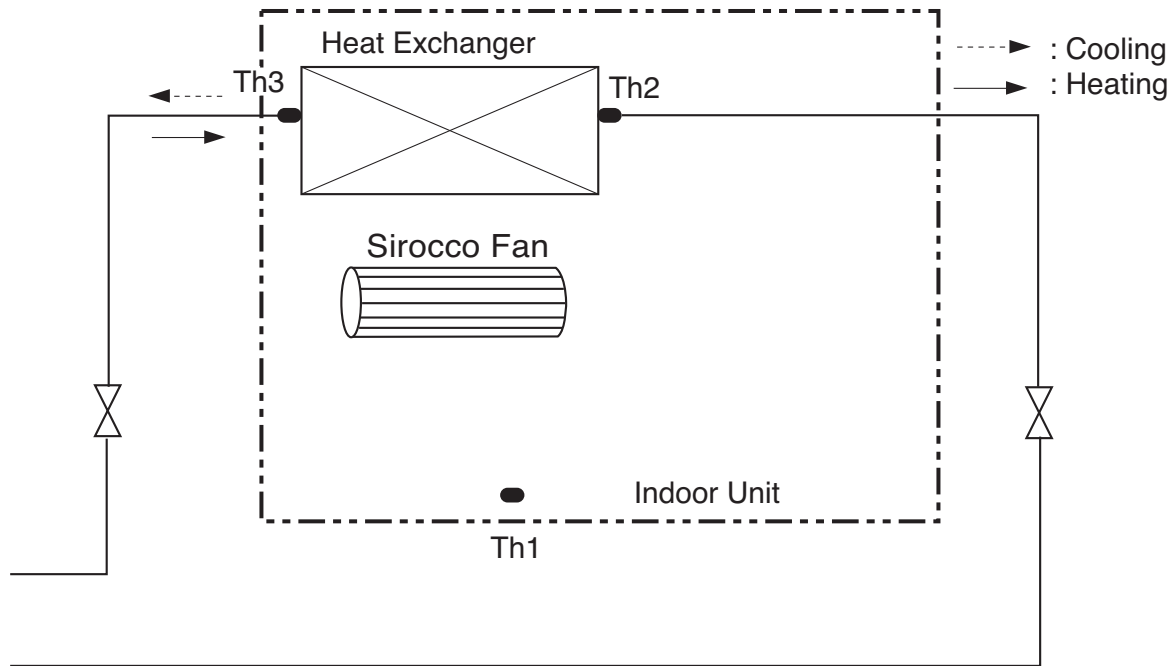
### Note:

- Capacities are based on the following conditions:
  - Cooling: - Indoor Temperature 27°C(80.6°F) DB/19°C(66.2°F) WB
  - Outdoor Temperature 35°C(95°F) DB/24°C(75.2°F) WB
  - Heating: - Indoor Temperature 20°C(68°F) DB/15°C(59°F) WB
  - Outdoor Temperature 7°C(44.6°F) DB/6°C(42.8°F) WB
- Piping Length - Interconnecting Piping Length 5.0m
  - Level Difference of Zero

<b>Conversion Formula</b> kW = Btu/h x 0.0002931 cfm = CMM x 35.3
---

- Wiring cable size must comply with the applicable local and national code.
- The specification may be subject to change without prior notice for purpose of improvement.

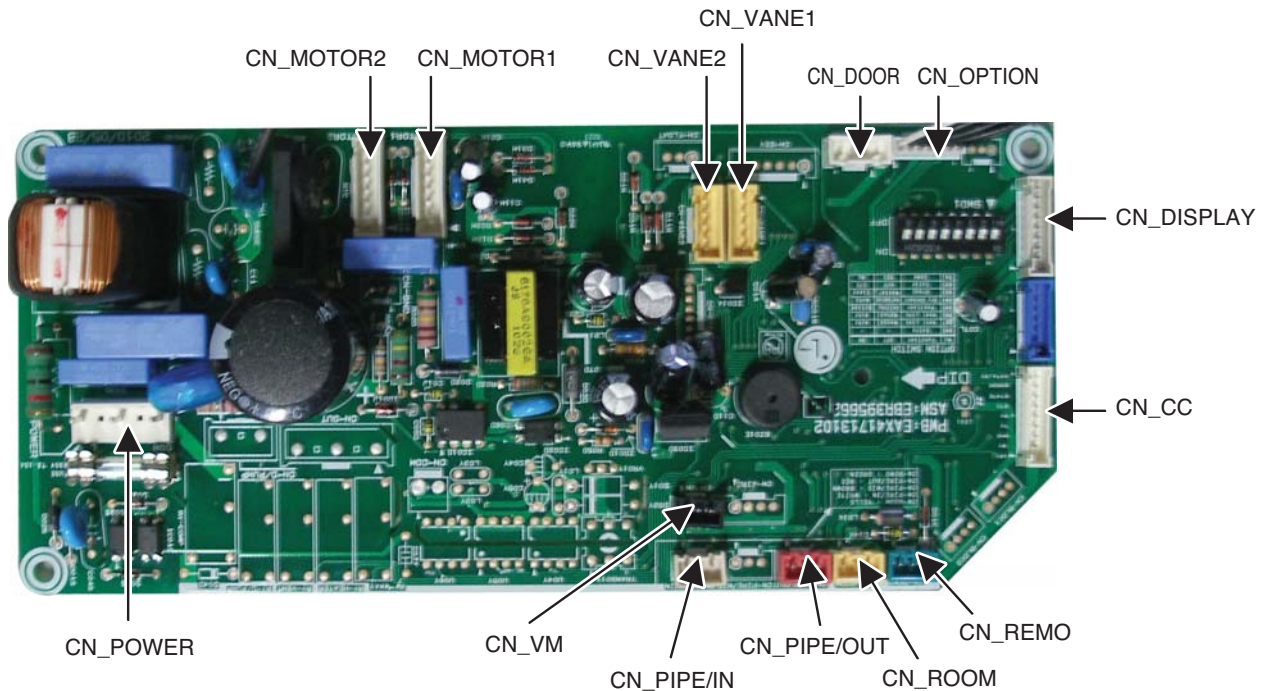
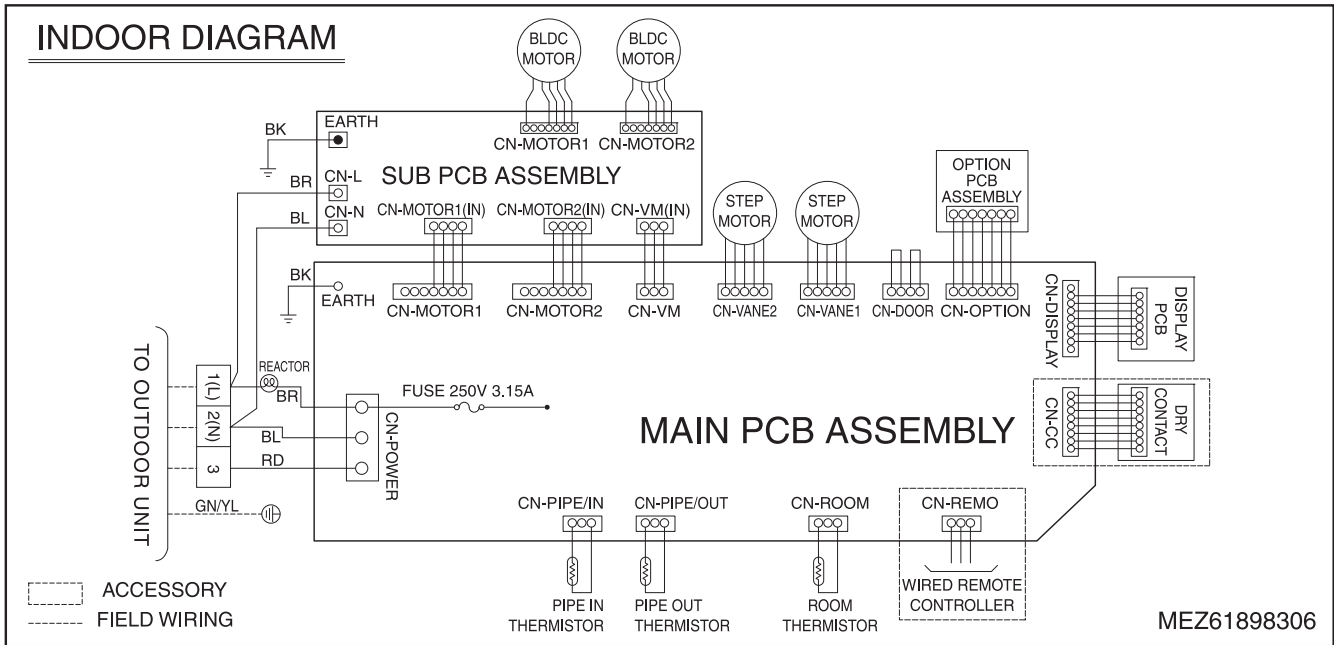
## 2. Piping Diagrams



Model	Gas (mm)	Liquid(mm)
UVNH36GLLA1	15.88	9.52

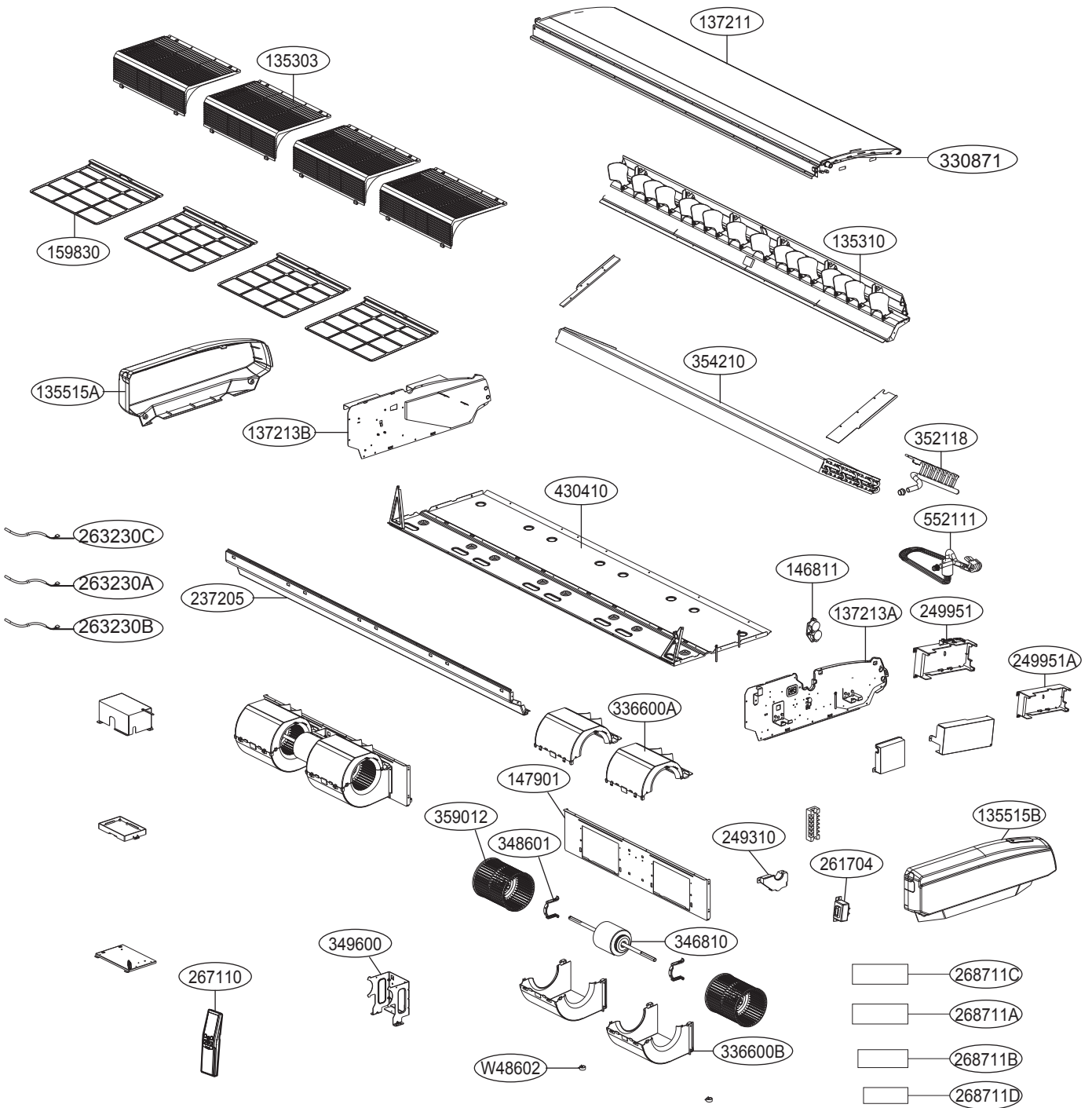
LOC.	Description	PCB Connector
Th1	Thermistor for inlet air temperature	CN_ROOM
Th2	Thermistor for EVA. in temperature	CN_PIPE/IN
Th3	Thermistor for EVA. out temperature	CN_PIPE/OUT

# 3. Wiring Diagrams



# 4. Exploded View

## Indoor Unit





P/NO : MFL67104203

DECEMBER, 2010